

Single Function Lamps Medium Vehicle/Trailer

- Low profile recess model
- Shock, dust & water proof
- 5 Year warranty



Part Number

- 102R** - 12 Volt, Bulk poly bag
102RM - Multivolt 12-24V, Blister single

Function	Stop/Tail		
Size	130mm round x 12mm		
Voltage	12 Volt and Multivolt 12-24V		
LED Qty	20		
Cable	40cm Spade terminals		
Draw	Stop	Tail	
@13.8V	0.31A	0.04A	
@28V	0.19A	0.04A	
Approvals	Function	Category	CRN
ADR	Stop/Tail	49/00	42963



Part Number

- 102A** - 12 Volt, Bulk poly bag
102AM - Multivolt 12-24V, Blister single

Function	Rear Indicator		
Size	130mm round x 12mm		
Voltage	12 Volt and Multivolt 12-24V		
LED Qty	20		
Cable	40cm Spade terminals		
Draw	Indicator		
@13.8V	0.29A		
@28V	0.20A		
Approvals	Function	Category	CRN
ADR	Indicator	6/00/2A	42832



Part Number

- 102W** - 12 Volt, Bulk poly bag
102WM - Multivolt 12-24V, Blister single

Function	Reverse		
Size	130mm round x 12mm		
Voltage	12 Volt and Multivolt 12-24V		
LED Qty	20		
Cable	40cm Spade terminals		
Draw	Reverse		
@13.8V	0.15A		
@28V	0.11A		
Approvals	Function	Category	CRN
ADR	Reverse	1/00	42826

Fitting Instructions

Fit into cutout (cutout 104mm round) using stick on gasket between lamp and fitting surface, run wires at back. Please refer to ADR 13/00 for mounting instructions.

Accessories

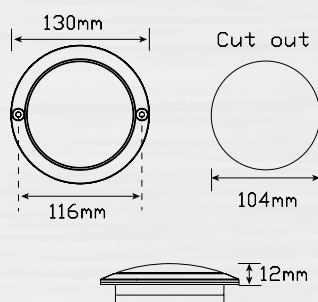
102B3B - Triple black bracket.



102W3B - Triple white bracket.



Technical Drawings



Blister Packaging

