







BEACONS



5800 SERIES SAE Class I Rotator

Available in a wide range of base mountings and two height profiles, these rotating beacons produce SAE Class I light output. The 5800 series incorporates a smooth and quiet belt drive module with stainless steel bearings that provides long life and reliable service. Reflectors incorporate a free-form optical design that maximizes light output and beam spread.

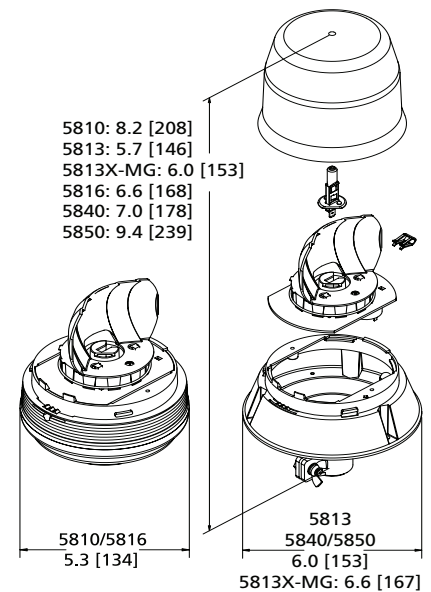
Models

| PART NO. | MOUNT | LENS COLOR OPTIONS | LED COLOR |
|----------|----------|---|--------------------------|
| 5810X | DIN Pole |  | <input type="checkbox"/> |
| 5813X | 3 Bolt |  | <input type="checkbox"/> |
| 5813X-MG | Magnet |  | <input type="checkbox"/> |
| 5816X | 1 Bolt |  | <input type="checkbox"/> |

Replace "X" in part number with desired color: A = amber, B = blue, C = clear, G = green, R = red

Features and Benefits

- 12 VDC, 4.9 Amps, 195 FPM
- Economical style beacon available in several mounting styles
- DIN models designed to fit DIN #72591
- Flexi-Base model rubber base resists vibration & protects against minor impacts
- Twist-on lens secures with a locking screw
- 55-watt halogen bulb
- Temperature Range: -22°F to +122°F (-30°C to +50°C)



Parts & Accessories

- Bulb: R5812BH
- Lens: Amber - R5810LA
- High Profile Lens: Amber - R5840CA