

Interior Lamps

- High brightness 120° spread
- Low profile
- 3 Year warranty

INTERIOR ONLY

12V or 24V VOLTAGE SPECIFIC



Part Number

143ILB12 - 12 Volt, Blister single
143ILB24 - 24 Volt, Blister single

Function Large round interior lamp with On/Door/off switch/Black bezel. Output equivalent to a 50 Watt globe

Size 143mm Round x 40mm

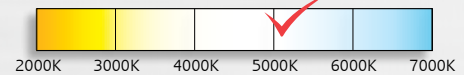
Voltage 12 Volt or 24 Volt

LED Qty 120

Cable 40cm cable

Draw @13.8V @28V
0.12A 0.04A

Colour temperature scale



Part Number

143ILC12 - 12 Volt, Blister single
143ILC24 - 24 Volt, Blister single

Function Large round interior lamp with On/Door/off switch/Chrome bezel. Output equivalent to a 50 Watt globe

Size 143mm Round x 40mm

Voltage 12 Volt or 24 Volt

LED Qty 120

Cable 40cm cable

Draw @13.8V @28V
0.12A 0.04A

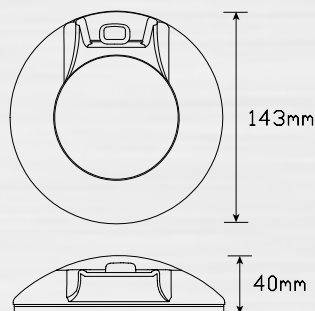
Colour temperature scale



Fitting instructions

Remove bezel and surface mount using three screw points, run wires through hole in mounting surface and refit bezel by clicking into place.

Technical Drawings



Blister Packaging

