



BEACONS



7660 RotoLED™ SAE Class I LED Hybrid

7660 Series RotoLED™ beacon combines all the major benefits of the latest LEDs with the unmistakable warning signal of a rotator, without compromising reliability. LED Hybrid technology uses a brushless magnetic drive system to spin the reflector disk, reducing noise and eliminating the typical motor/gear drawbacks associated with conventional rotators. The 7660 also features a TIR optic to provide SAE Class I light output. Additional benefits include an extended, service free life, low amp draw.

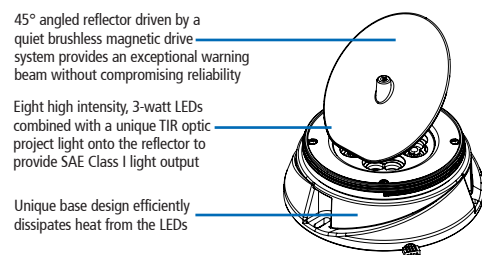
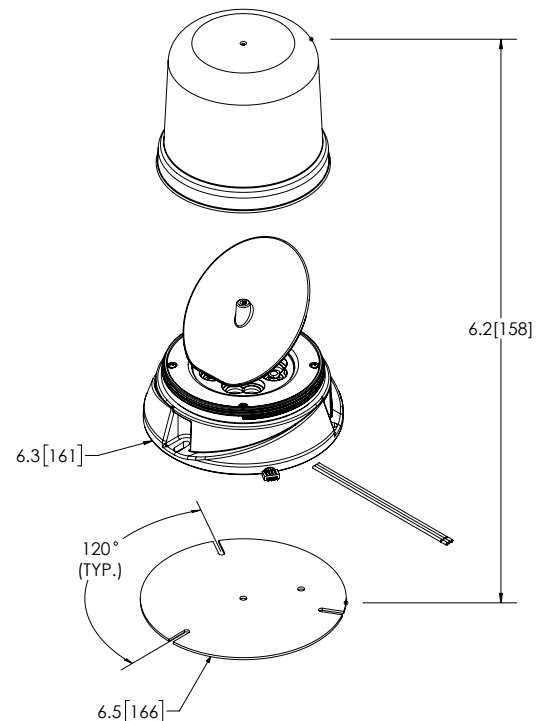
Models

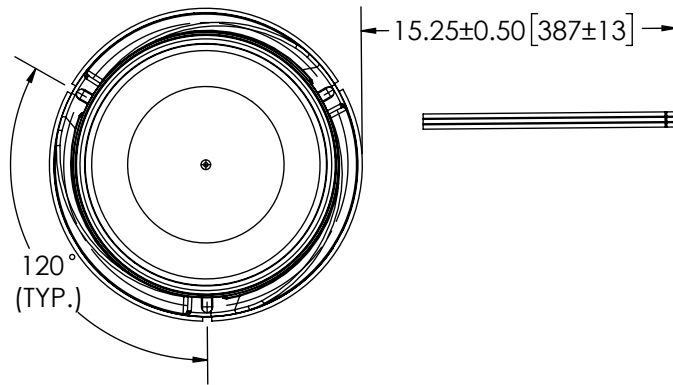
PART NO.	MOUNT	LENS COLOR	LED COLOR OPTIONS
7660X	3 Bolt	■ ■ ■ ■	<input type="checkbox"/>
7660CC	3 Bolt	<input type="checkbox"/>	<input type="checkbox"/>
7660X-VM	Vacuum-Magnet	■ ■ ■ ■	<input type="checkbox"/>
7660CC-VM	Vacuum-Magnet	<input type="checkbox"/>	<input type="checkbox"/>

Replace "X" in part number with desired color: A = amber, B = blue, C = clear, G = green, R = red

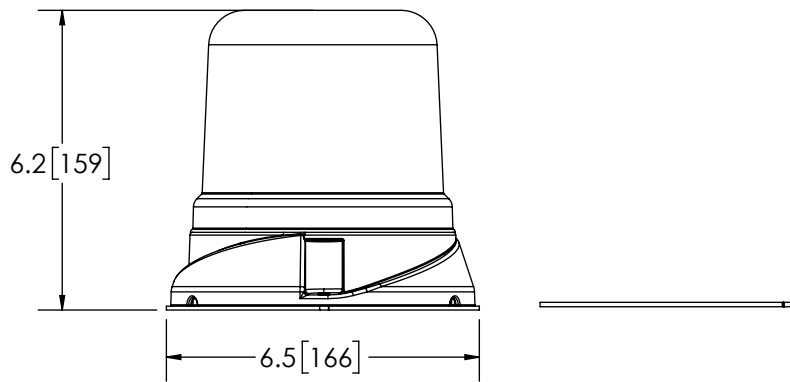
Features and Benefits

- 12-24 VDC, 2.1 Amps, 75 / 125 FPM
- 1 Flash pattern, 2 different rotating speeds; 70 at 75FPM and 120 at 125FPM
- LED hybrid technology provides a high intensity rotating warning signal with no gears, brushes or bulbs to wear out
- Eight high-intensity LEDs combined with a TIR optic
- UV hard coated lens to greatly reduce cracking, hazing, abrasion and fading
- Universal bolt pattern for simple mounting
- Temperature Range: -22°F to +122°F (-30°C to +50°C)

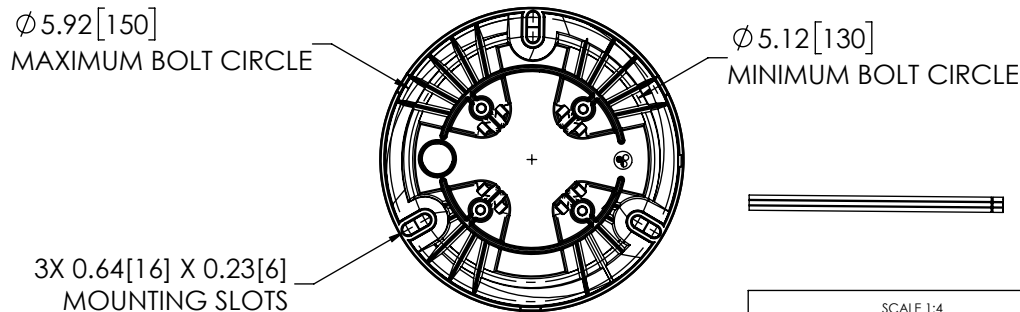




TOP VIEW



FRONT VIEW



**BOTTOM VIEW - BOTTOM GASKET
NOT SHOWN FOR CLARITY**

- NOTES:
 1. ROHS COMPLIANT
 2. DIMENSIONS IN INCHES [MILLIMETERS (FOR REFERENCE)]

REVISION HISTORY		
REV.	DESCRIPTION	DATE
B	REVISE PER P13027	2015-10-23
C	REVISE PER P13027	2017-08-07
D	REVISE PER P13027	2018-08-28

3-16 AWG WIRES
 RED - POSITIVE(+)
 BLACK - NEGATIVE(-)
 YELLOW - SPEED CONTROL(+)

SPECIFICATIONS

- CERTIFICATIONS: **CE**; ECE R10; SEE CHART; ; Reg 65 CertTA1-E9-00.1873; IP6K6D/ | P6K7D
 Note: Unique components, accessories, and hardware kits are not typically included in the Product Certification Test Protocols. Unless otherwise Specified, the Product Certifications referred to herein are predicated upon the base product model configuration.
- FLASH MODE: SINGLE : 125 ± 5 FLASHES PER MINUTE
 SINGLE : 75 ± 5 FLASHES PER MINUTE
- VOLTAGE (NOMINAL): 12-24 VDC
- VOLTAGE (EXTREME): 9-32 VDC
- CURRENT (PEAK): 2.08A (@ 12 VDC NOMINAL)
- POWER (MAXIMUM): 26.6W (@ 12 VDC NOMINAL)
- TEMPERATURE RANGE: -22°F (-30°C) TO 122°F (50°C)
- CONNECTION: 3-16 AWG. WIRES
- MOUNTING: FLANGE MOUNT
- BASE MATERIAL: ALUMINUM
- LENS MATERIAL: POLYCARBONATE
- PRODUCT WEIGHT: 2.53 LBS (1.14 Kg)

FG PRODUCT CHART				
FG P/N	COLOR	CA T13	SAE J845	ECE R65
7660A	AMBER	CLASS B	CLASS I	CLASS 1
7660B	BLUE	CLASS B	CLASS 2	-
7660G	GREEN	-	-	-
7660R	RED	CLASS B	CLASS I	CLASS 1

SCALE 1:4		APPROVALS	DATE
CAD GENERATED DRAWING DO NOT MANUALLY UPDATE. MODEL REFERENCED: B		DRAWN BY ABD	2018-07-26
TOLERANCES ARE IN INCHES, AND MILLIMETERS TOLERANCES UNLESS OTHERWISE STATED ARE:		CHECKED ABB	2018-07-27
MILLIMETERS DECIMALS XX. ± 1.0mm XX.X ± 0.5mm	INCHES DECIMALS X.X ± 0.1 X.XX ± 0.04 X.XXX ± 0.02	MECH. ENG. JLA	2018-07-26
	ANGLES ± 0.5° FRACTIONS ± 1/64	ELEC. ENG. JES	2018-08-01
		TEST ENG. JRT	2018-07-27
		SALES. ARS	2018-07-26



LED HYBRID BEACON, 12-24VDC

CUSTOMER PART NO. SEE CHART		PRODUCT SERIES: 7660	
SIZE: A	DWG. NO. 7660X	REV. D	
Electronically Controlled Use Latest Copy		SHEET 1 OF 1	Project: 08022 Date Created: 2008-06-23

NON DISCLOSURE AGREEMENT
 THIS DRAWING AND THE DESIGN IT DISCLOSES ARE THE PRIVATE PROPERTY OF ELECTRONIC CONTROLS CO. AND IS ISSUED IN CONFIDENCE FOR ENGINEERING INFORMATION ONLY. THE DRAWING AND / OR DESIGN MAY NOT BE USED, COPIED, REPRODUCED, OR OTHERWISE DISCLOSED IN PART OR AS A WHOLE TO OUTSIDERS OR USED FOR ANY OTHER PURPOSE WITHOUT THE PRIOR WRITTEN CONSENT OF ELECTRONIC CONTROLS CO. THE DRAWING IS SUBJECT TO RECALL AT ANY TIME. YOUR POSSESSION OF THIS DOCUMENT CONSTITUTES ACCEPTANCE OF THESE TERMS. © 2008 ELECTRONIC CONTROLS CO.