



NOCO genius 10



NOCO genius®

NOCO genius 5

NOCO genius 1

NOCO®

PROPRIETARY AND CONFIDENTIAL. COPYRIGHT © 2019 THE NOCO COMPANY

THIS DOCUMENT CONTAINS PROPRIETARY, CONFIDENTIAL, COPYRIGHTED, AND TRADE SECRET INFORMATION OF THE NOCO COMPANY AND ITS AFFILIATED COMPANIES ("NOCO"). ALL MATERIAL, INFORMATION, AND CONTENT ARE THE PROPERTY OF NOCO, AND NOCO RETAINS ALL RIGHT, TITLE, AND INTEREST THEREIN. THIS DOCUMENT MAY NOT BE COPIED, DISSEMINATED, DISCLOSED, PUBLISHED, DIVULGED, OR REPRODUCED, IN WHOLE OR IN PART, WITHOUT THE PRIOR WRITTEN CONSENT OF NOCO. TITLE IN AND TO THIS DOCUMENT (NO MATTER IF IN PRINTED, ELECTRONIC, OR ANY OTHER FORM) AND ALL INFORMATION CONTAINED HEREIN REMAINS AT ALL TIMES IN NOCO. NO INTELLECTUAL PROPERTY RIGHTS ARE TRANSFERRED TO YOU BY ACCESS TO THIS DOCUMENT OR OTHERWISE.

THE ALL NEW GENIUS SERIES. MORE POWER. MORE PERFORMANCE.

We designed our chargers— well— to be more genius. Improved charging with more performance and more automation than ever before. An advanced architecture that pushes the limits of power-efficiency for incredibly compact size and unprecedented power. **Welcome to the all-new Genius.**

UP TO

45%

MORE POWER

UP TO

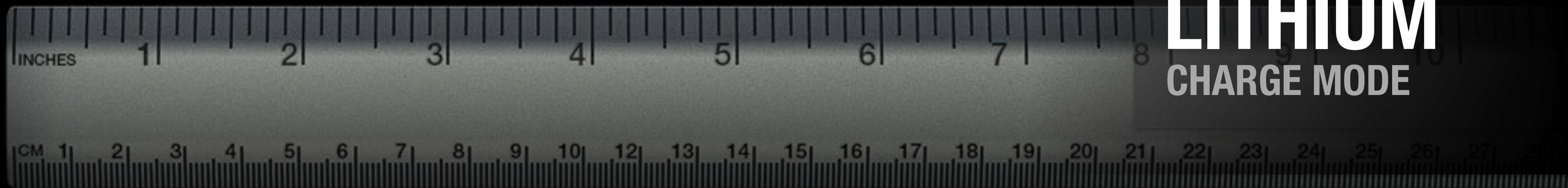
40%

SMALLER SIZE

LITHIUM
CHARGE MODE



The All New NOCO GENIUS2
Next To The Previous NOCO G1100.



NOCO

PROPRIETARY AND CONFIDENTIAL. COPYRIGHT © 2019 THE NOCO COMPANY

THIS DOCUMENT CONTAINS PROPRIETARY, CONFIDENTIAL, COPYRIGHTED, AND TRADE SECRET INFORMATION OF THE NOCO COMPANY AND ITS AFFILIATED COMPANIES ("NOCO"). ALL MATERIAL, INFORMATION, AND CONTENT ARE THE PROPERTY OF NOCO, AND NOCO RETAINS ALL RIGHT, TITLE, AND INTEREST THEREIN. THIS DOCUMENT MAY NOT BE COPIED, DISSEMINATED, DISCLOSED, PUBLISHED, DIVULGED, OR REPRODUCED, IN WHOLE OR IN PART, WITHOUT THE PRIOR WRITTEN CONSENT OF NOCO. TITLE IN AND TO THIS DOCUMENT (NO MATTER IF IN PRINTED, ELECTRONIC, OR ANY OTHER FORM) AND ALL INFORMATION CONTAINED HEREIN REMAINS AT ALL TIMES IN NOCO. NO INTELLECTUAL PROPERTY RIGHTS ARE TRANSFERRED TO YOU BY ACCESS TO THIS DOCUMENT OR OTHERWISE.

V10.07.19A 2

ENGINEERED FROM THE GROUND UP.

ALL NEW ARCHITECTURE.



HYPERDENSE TECHNOLOGY

Maximized Energy Density

99% POWER FACTOR CORRECTION

Maximized AC Power*

DYNAMIC BATTERY TRACKING

Understand Status Of Battery

UNIVERSAL INPUT

100-240VAC

HIGH EFFICIENCY DESIGN

Up to 87% Efficiency

*Included on GENIUS10 only.



PROPRIETARY AND CONFIDENTIAL. COPYRIGHT © 2019 THE NOCO COMPANY

THIS DOCUMENT CONTAINS PROPRIETARY, CONFIDENTIAL, COPYRIGHTED, AND TRADE SECRET INFORMATION OF THE NOCO COMPANY AND ITS AFFILIATED COMPANIES ("NOCO"). ALL MATERIAL, INFORMATION, AND CONTENT ARE THE PROPERTY OF NOCO, AND NOCO RETAINS ALL RIGHT, TITLE, AND INTEREST THEREIN. THIS DOCUMENT MAY NOT BE COPIED, DISSEMINATED, DISCLOSED, PUBLISHED, DIVULGED, OR REPRODUCED, IN WHOLE OR IN PART, WITHOUT THE PRIOR WRITTEN CONSENT OF NOCO. TITLE IN AND TO THIS DOCUMENT (NO MATTER IF IN PRINTED, ELECTRONIC, OR ANY OTHER FORM) AND ALL INFORMATION CONTAINED HEREIN REMAINS AT ALL TIMES IN NOCO. NO INTELLECTUAL PROPERTY RIGHTS ARE TRANSFERRED TO YOU BY ACCESS TO THIS DOCUMENT OR OTHERWISE.

CHARGE DEAD BATTERIES.

From partially drained batteries to completely dead batteries, we changed everything. An improved start-voltage sensor now detects dead batteries as low as **1-volt**. And an all-new force mode allows manual charging for extreme dead batteries - all the way down to **zero volts**.



NOCO[®]

PROPRIETARY AND CONFIDENTIAL. COPYRIGHT © 2019 THE NOCO COMPANY

THIS DOCUMENT CONTAINS PROPRIETARY, CONFIDENTIAL, COPYRIGHTED, AND TRADE SECRET INFORMATION OF THE NOCO COMPANY AND ITS AFFILIATED COMPANIES ("NOCO"). ALL MATERIAL, INFORMATION, AND CONTENT ARE THE PROPERTY OF NOCO, AND NOCO RETAINS ALL RIGHT, TITLE, AND INTEREST THEREIN. THIS DOCUMENT MAY NOT BE COPIED, DISSEMINATED, DISCLOSED, PUBLISHED, DIVULGED, OR REPRODUCED, IN WHOLE OR IN PART, WITHOUT THE PRIOR WRITTEN CONSENT OF NOCO. TITLE IN AND TO THIS DOCUMENT (NO MATTER IF IN PRINTED, ELECTRONIC, OR ANY OTHER FORM) AND ALL INFORMATION CONTAINED HEREIN REMAINS AT ALL TIMES IN NOCO. NO INTELLECTUAL PROPERTY RIGHTS ARE TRANSFERRED TO YOU BY ACCESS TO THIS DOCUMENT OR OTHERWISE.

V10.07.19A 4

CHARGE DOWN TO ZERO VOLTS.

In **Force Mode**, the charger will run a 5-minute charge cycle to bring the battery back to life. The Charge LEDs will chase, and the selected mode will blink. After the 5 minute cycle, the charger will initiate standard charging.

To enter Force Mode, simply press and hold the mode button for ~5 seconds and all of the modes will blink. Then toggle through and select the correct one for the application.



DO MORE WITH ONE CHARGER.

A multi-functional design that allows you to charge in more ways. Effortlessly charge multiple battery voltages and chemistries. Switch to Repair Mode to recovery old batteries or prime a new one. And use Supply Mode for ECU reprogramming, painting onboard computer systems during battery changing, or power 12-volt devices.

MULTI-VOLTAGE

6-volt and 12-volt lead-acid batteries.

CHEMISTRIES

Flooded, gel, maintenance-free and AGM batteries.

TYPES

Starter, deep-cycle, marine, powersport and more.

SUPPLY MODE

Reprogram ECUs, maintain power, or unequalize batteries.

REPAIR MODE

Recover old and damaged batteries, plus prime new batteries.

LITHIUM MODE

Lithium-ion batteries, including iron phosphate.



PROPRIETARY AND CONFIDENTIAL. COPYRIGHT © 2019 THE NOCO COMPANY

THIS DOCUMENT CONTAINS PROPRIETARY, CONFIDENTIAL, COPYRIGHTED, AND TRADE SECRET INFORMATION OF THE NOCO COMPANY AND ITS AFFILIATED COMPANIES ("NOCO"). ALL MATERIAL, INFORMATION, AND CONTENT ARE THE PROPERTY OF NOCO, AND NOCO RETAINS ALL RIGHT, TITLE, AND INTEREST THEREIN. THIS DOCUMENT MAY NOT BE COPIED, DISSEMINATED, DISCLOSED, PUBLISHED, DIVULGED, OR REPRODUCED, IN WHOLE OR IN PART, WITHOUT THE PRIOR WRITTEN CONSENT OF NOCO. TITLE IN AND TO THIS DOCUMENT (NO MATTER IF IN PRINTED, ELECTRONIC, OR ANY OTHER FORM) AND ALL INFORMATION CONTAINED HEREIN REMAINS AT ALL TIMES IN NOCO. NO INTELLECTUAL PROPERTY RIGHTS ARE TRANSFERRED TO YOU BY ACCESS TO THIS DOCUMENT OR OTHERWISE.

SMART INDICATORS. ADVANCED DIAGNOSTICS.

Smart indicators quickly detect when the battery charger is connected in reverse polarity, connected to an incompatible battery, or if the battery is failing.

High Voltage

Battery Failure

Reverse Polarity

Standby



PROPRIETARY AND CONFIDENTIAL. COPYRIGHT © 2019 THE NOCO COMPANY

THIS DOCUMENT CONTAINS PROPRIETARY, CONFIDENTIAL, COPYRIGHTED, AND TRADE SECRET INFORMATION OF THE NOCO COMPANY AND ITS AFFILIATED COMPANIES ("NOCO"). ALL MATERIAL, INFORMATION, AND CONTENT ARE THE PROPERTY OF NOCO, AND NOCO RETAINS ALL RIGHT, TITLE, AND INTEREST THEREIN. THIS DOCUMENT MAY NOT BE COPIED, DISSEMINATED, DISCLOSED, PUBLISHED, DIVULGED, OR REPRODUCED, IN WHOLE OR IN PART, WITHOUT THE PRIOR WRITTEN CONSENT OF NOCO. TITLE IN AND TO THIS DOCUMENT (NO MATTER IF IN PRINTED, ELECTRONIC, OR ANY OTHER FORM) AND ALL INFORMATION CONTAINED HEREIN REMAINS AT ALL TIMES IN NOCO. NO INTELLECTUAL PROPERTY RIGHTS ARE TRANSFERRED TO YOU BY ACCESS TO THIS DOCUMENT OR OTHERWISE.

V10.07.19A

SIMPLE TROUBLESHOOTING.

ADVANCED DIAGNOSTICS.

ERROR CONDITION

Battery Below Start Voltage



Reverse Polarity



Battery Will Not Hold Charge



Bulk Charge Timeout



Battery Above Protection Voltage



Charger Internal Temperature Too High



Charger Ambient Temperature Too Cold



 [Indicates Flashing]

High Voltage

Battery Failure

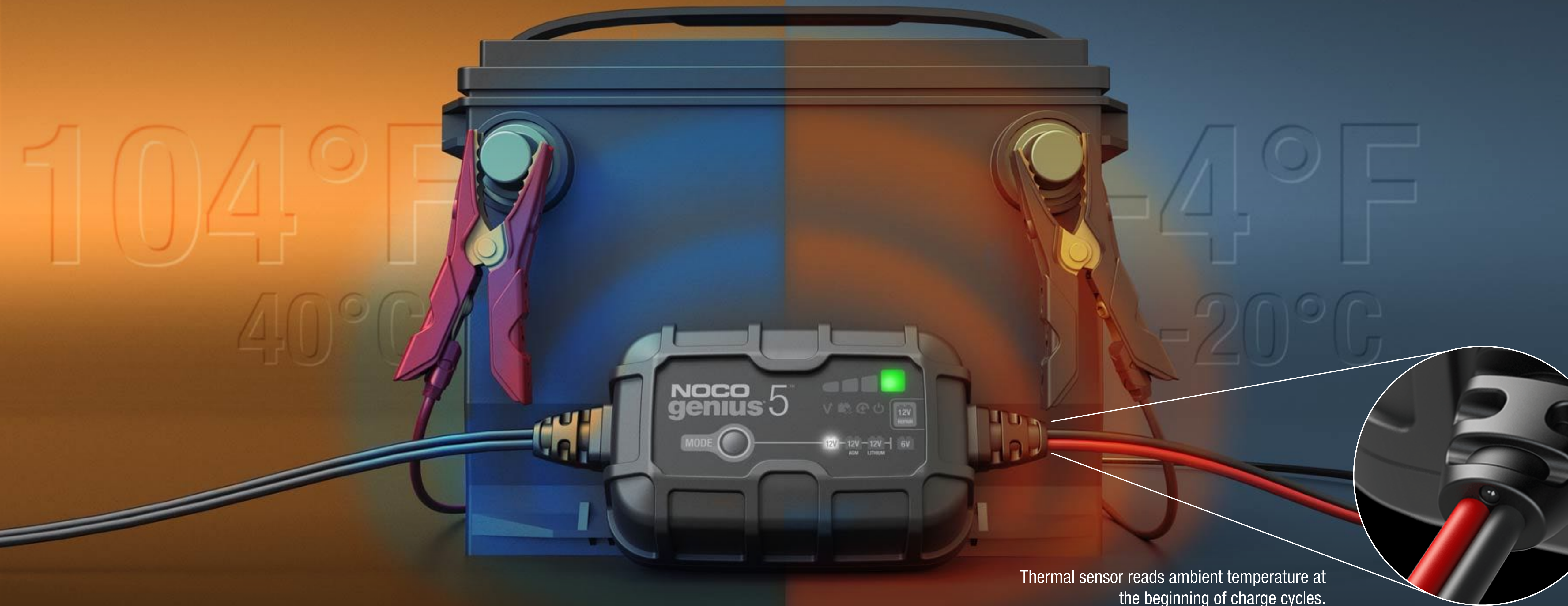
Reverse Polarity

Standby



THERMAL COMPENSATION. OPTIMIZED FOR ANY CLIMATE.

Elevates charging to a whole new level of performance by dynamically altering each charge based on the ambient temperature and providing a more accurate recharge.



Thermal sensor reads ambient temperature at the beginning of charge cycles.



PROPRIETARY AND CONFIDENTIAL. COPYRIGHT © 2019 THE NOCO COMPANY

THIS DOCUMENT CONTAINS PROPRIETARY, CONFIDENTIAL, COPYRIGHTED, AND TRADE SECRET INFORMATION OF THE NOCO COMPANY AND ITS AFFILIATED COMPANIES ("NOCO"). ALL MATERIAL, INFORMATION, AND CONTENT ARE THE PROPERTY OF NOCO, AND NOCO RETAINS ALL RIGHT, TITLE, AND INTEREST THEREIN. THIS DOCUMENT MAY NOT BE COPIED, DISSEMINATED, DISCLOSED, PUBLISHED, DIVULGED, OR REPRODUCED, IN WHOLE OR IN PART, WITHOUT THE PRIOR WRITTEN CONSENT OF NOCO. TITLE IN AND TO THIS DOCUMENT (NO MATTER IF IN PRINTED, ELECTRONIC, OR ANY OTHER FORM) AND ALL INFORMATION CONTAINED HEREIN REMAINS AT ALL TIMES IN NOCO. NO INTELLECTUAL PROPERTY RIGHTS ARE TRANSFERRED TO YOU BY ACCESS TO THIS DOCUMENT OR OTHERWISE.

BRINGING BATTERIES BACK TO LIFE.



AUTO DESULFATION

Built-in desulfation mode.

AUTO DETECTION

Smart diagnostic indicators.

AUTO REPAIR

Repair integrated within a 9-step charging profile.



PROPRIETARY AND CONFIDENTIAL. COPYRIGHT © 2019 THE NOCO COMPANY

THIS DOCUMENT CONTAINS PROPRIETARY, CONFIDENTIAL, COPYRIGHTED, AND TRADE SECRET INFORMATION OF THE NOCO COMPANY AND ITS AFFILIATED COMPANIES ("NOCO"). ALL MATERIAL, INFORMATION, AND CONTENT ARE THE PROPERTY OF NOCO, AND NOCO RETAINS ALL RIGHT, TITLE, AND INTEREST THEREIN. THIS DOCUMENT MAY NOT BE COPIED, DISSEMINATED, DISCLOSED, PUBLISHED, DIVULGED, OR REPRODUCED, IN WHOLE OR IN PART, WITHOUT THE PRIOR WRITTEN CONSENT OF NOCO. TITLE IN AND TO THIS DOCUMENT (NO MATTER IF IN PRINTED, ELECTRONIC, OR ANY OTHER FORM) AND ALL INFORMATION CONTAINED HEREIN REMAINS AT ALL TIMES IN NOCO. NO INTELLECTUAL PROPERTY RIGHTS ARE TRANSFERRED TO YOU BY ACCESS TO THIS DOCUMENT OR OTHERWISE.

V10.07.19A 10

COMPLETELY AUTOMATIC.

Finally a charger from start to finish that's completely automatic. No special modes, no technical knowledge required. Genius will safely charge any battery. Detect damaged batteries and intuitively repair them. And actively monitor for long-term battery maintenance and extend battery life.



YEAR-ROUND CHARGING

Provides all-season, all-weather charging for a healthy battery.

ZERO OVERCHARGE

Leave plugged in 24/7 with no worries of overcharging.

AUTO MEMORY

Automatically returns to its last selected mode.

MOUNTING OPTIONS. CUSTOM FOR EACH CHARGER.

Mount your charger in your garage, on a workbench, or in a convenient location so that you can connect quickly and as often as needed to extend the life of your battery.



*Included on GENIUS2, GENIUS5, and GENIUS10.

NOCO

PROPRIETARY AND CONFIDENTIAL. COPYRIGHT © 2019 THE NOCO COMPANY

THIS DOCUMENT CONTAINS PROPRIETARY, CONFIDENTIAL, COPYRIGHTED, AND TRADE SECRET INFORMATION OF THE NOCO COMPANY AND ITS AFFILIATED COMPANIES ("NOCO"). ALL MATERIAL, INFORMATION, AND CONTENT ARE THE PROPERTY OF NOCO, AND NOCO RETAINS ALL RIGHT, TITLE, AND INTEREST THEREIN. THIS DOCUMENT MAY NOT BE COPIED, DISSEMINATED, DISCLOSED, PUBLISHED, DIVULGED, OR REPRODUCED, IN WHOLE OR IN PART, WITHOUT THE PRIOR WRITTEN CONSENT OF NOCO. TITLE IN AND TO THIS DOCUMENT (NO MATTER IF IN PRINTED, ELECTRONIC, OR ANY OTHER FORM) AND ALL INFORMATION CONTAINED HEREIN REMAINS AT ALL TIMES IN NOCO. NO INTELLECTUAL PROPERTY RIGHTS ARE TRANSFERRED TO YOU BY ACCESS TO THIS DOCUMENT OR OTHERWISE.

V10.07.19A 12

MORE WAYS TO CHARGE. INTERCHANGEABLE ACCESSORIES.



PROPRIETARY AND CONFIDENTIAL. COPYRIGHT © 2019 THE NOCO COMPANY

THIS DOCUMENT CONTAINS PROPRIETARY, CONFIDENTIAL, COPYRIGHTED, AND TRADE SECRET INFORMATION OF THE NOCO COMPANY AND ITS AFFILIATED COMPANIES ("NOCO"). ALL MATERIAL, INFORMATION, AND CONTENT ARE THE PROPERTY OF NOCO, AND NOCO RETAINS ALL RIGHT, TITLE, AND INTEREST THEREIN. THIS DOCUMENT MAY NOT BE COPIED, DISSEMINATED, DISCLOSED, PUBLISHED, DIVULGED, OR REPRODUCED, IN WHOLE OR IN PART, WITHOUT THE PRIOR WRITTEN CONSENT OF NOCO. TITLE IN AND TO THIS DOCUMENT (NO MATTER IF IN PRINTED, ELECTRONIC, OR ANY OTHER FORM) AND ALL INFORMATION CONTAINED HEREIN REMAINS AT ALL TIMES IN NOCO. NO INTELLECTUAL PROPERTY RIGHTS ARE TRANSFERRED TO YOU BY ACCESS TO THIS DOCUMENT OR OTHERWISE.

V10.07.19A 13

REDESIGNED CLAMPS.

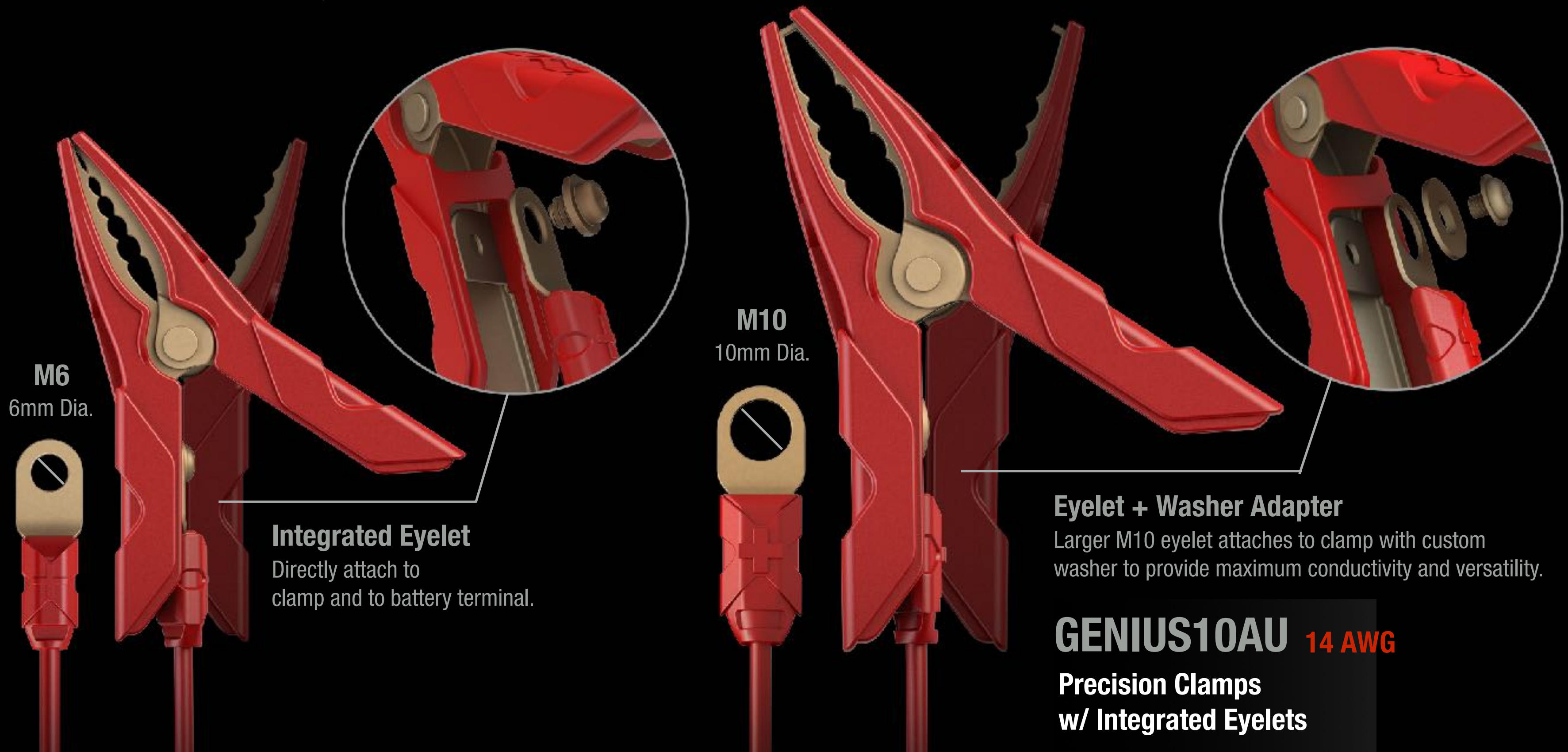
MAXIMUM VERSATILITY. MORE POWER.

Genius clamps are built with needle-nose profiles for smaller terminal applications and detachable integrated eyelets for permanent mounting the accessory to battery.

GENIUS1AU 18 AWG
Micro Clamps
w/ Integrated Eyelets

GENIUS2AU 18 AWG
Micro Clamps
w/ Integrated Eyelets

GENIUS5AU 16 AWG
Micro Clamps
w/ Integrated Eyelets



M6
6mm Dia.

M10
10mm Dia.

Integrated Eyelet
Directly attach to
clamp and to battery terminal.

Eyelet + Washer Adapter
Larger M10 eyelet attaches to clamp with custom
washer to provide maximum conductivity and versatility.

GENIUS10AU 14 AWG
Precision Clamps
w/ Integrated Eyelets



PROPRIETARY AND CONFIDENTIAL. COPYRIGHT © 2019 THE NOCO COMPANY

THIS DOCUMENT CONTAINS PROPRIETARY, CONFIDENTIAL, COPYRIGHTED, AND TRADE SECRET INFORMATION OF THE NOCO COMPANY AND ITS AFFILIATED COMPANIES ("NOCO"). ALL MATERIAL, INFORMATION, AND CONTENT ARE THE PROPERTY OF NOCO, AND NOCO RETAINS ALL RIGHT, TITLE, AND INTEREST THEREIN. THIS DOCUMENT MAY NOT BE COPIED, DISSEMINATED, DISCLOSED, PUBLISHED, DIVULGED, OR REPRODUCED, IN WHOLE OR IN PART, WITHOUT THE PRIOR WRITTEN CONSENT OF NOCO. TITLE IN AND TO THIS DOCUMENT (NO MATTER IF IN PRINTED, ELECTRONIC, OR ANY OTHER FORM) AND ALL INFORMATION CONTAINED HEREIN REMAINS AT ALL TIMES IN NOCO. NO INTELLECTUAL PROPERTY RIGHTS ARE TRANSFERRED TO YOU BY ACCESS TO THIS DOCUMENT OR OTHERWISE.

WIDE CLAMPING RANGE. PRECISE CONNECTIONS.

Designed to fit battery terminals of any shape and size. Engineered for improved clamping range, clamping force, and higher conductivity.



GENIUS1AU 18 AWG
Micro Clamps
w/ Integrated Eyelets

GENIUS2AU 18 AWG
Micro Clamps
w/ Integrated Eyelets

GENIUS5AU 16 AWG
Micro Clamps
w/ Integrated Eyelets



GENIUS10AU 14 AWG
Precision Clamps
w/ Integrated Eyelets

GLOBAL SAFETY.



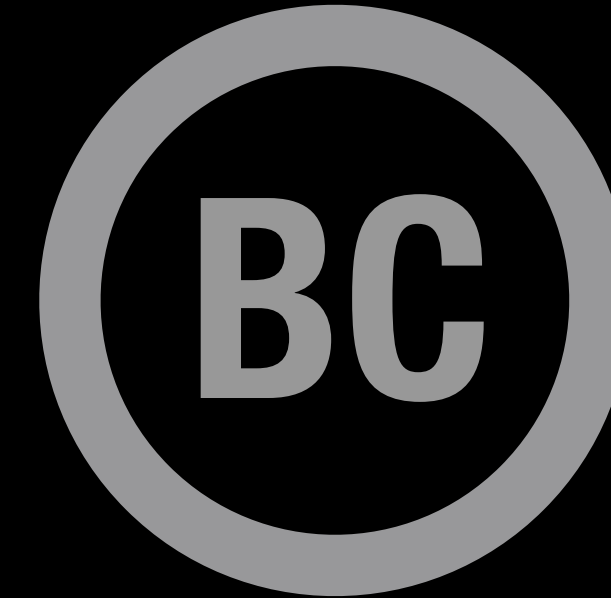
UL



IEC



CSA



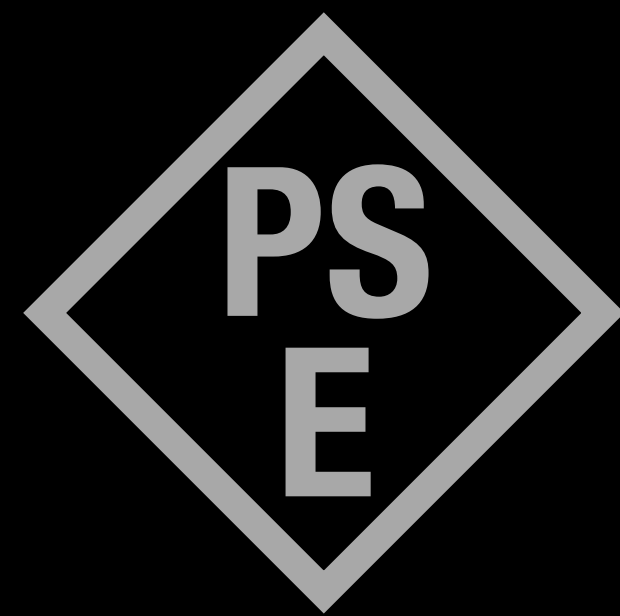
CEC



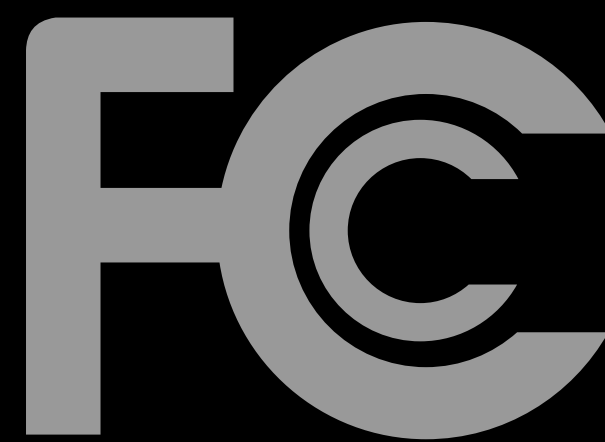
REACH



ROHS



PSE



FCC



CE



RCM

NOCO genius®

BATTERY CHARGERS AND MAINTAINERS.

GENIUS2AU



NOCO genius 1™

GENIUS2AU



NOCO genius 2™

GENIUS5AU



NOCO genius 5™

GENIUS10AU



NOCO genius 10™

NOCO genius¹™ CHARGER & MAINTAINER

GENIUS1AU

1A CHARGING CURRENT

6V & 12V

15W OUTPUT POWER

30Ah BATTERY CAPACITY



GENIUS CHARGERS

ACCESSORIES

OVERVIEW

TECH SPECS

COMPARE



What's In The Box

- Genius 1 Battery Charger w/ Interchangeable Connector
- Clamps w/ Integrated Eyelets
- User Guide & Warranty Information

Inner Carton:

Dimensions: 6.97" x 3.70" x 4.25"
Weight: 1.08lbs

Master Carton:

Dimensions: 14.65" x 11.81" x 4.96"
Weight: 7.22lbs
Quantity: 6
UCC: 10046221190028

Retail Packaging

Dimensions: 3.43" x 4.02" x 6.73"
Weight: 0.95lbs
UPC: 0-46221-19002-1

Units Per Pallet:

378 Units

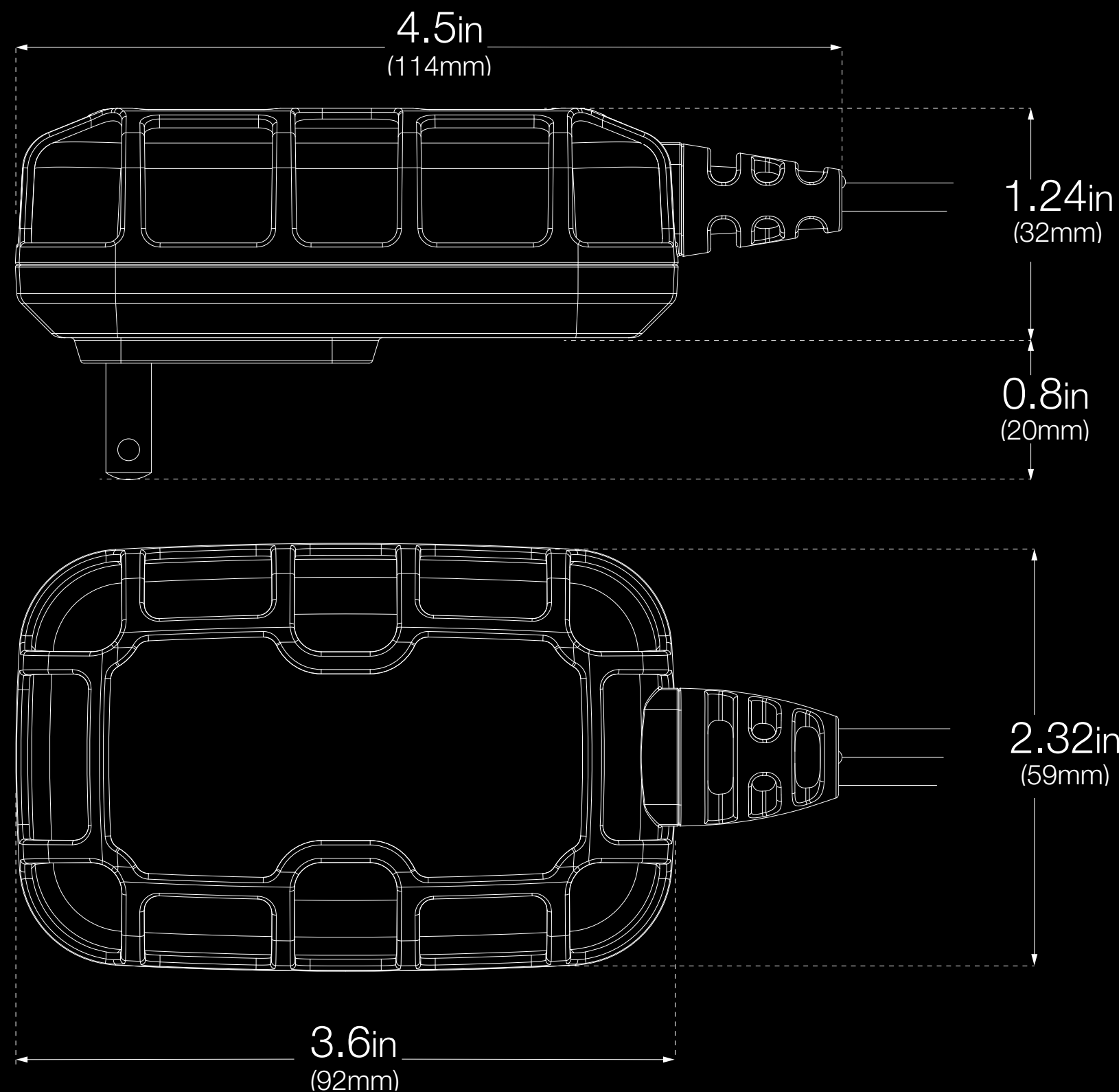
NOCO

PROPRIETARY AND CONFIDENTIAL. COPYRIGHT © 2019 THE NOCO COMPANY

THIS DOCUMENT CONTAINS PROPRIETARY, CONFIDENTIAL, COPYRIGHTED, AND TRADE SECRET INFORMATION OF THE NOCO COMPANY AND ITS AFFILIATED COMPANIES ("NOCO"). ALL MATERIAL, INFORMATION, AND CONTENT ARE THE PROPERTY OF NOCO, AND NOCO RETAINS ALL RIGHT, TITLE, AND INTEREST THEREIN. THIS DOCUMENT MAY NOT BE COPIED, DISSEMINATED, DISCLOSED, PUBLISHED, DIVULGED, OR REPRODUCED, IN WHOLE OR IN PART, WITHOUT THE PRIOR WRITTEN CONSENT OF NOCO. TITLE IN AND TO THIS DOCUMENT (NO MATTER IF IN PRINTED, ELECTRONIC, OR ANY OTHER FORM) AND ALL INFORMATION CONTAINED HEREIN REMAINS AT ALL TIMES IN NOCO. NO INTELLECTUAL PROPERTY RIGHTS ARE TRANSFERRED TO YOU BY ACCESS TO THIS DOCUMENT OR OTHERWISE.

V10.07.19A 18

GENIUS1AU



Operating Requirements

Line Voltage AC: 120V to 240V AC, 50-60Hz
Operating Temperature: -4° to 104° F (-20° to +40° C)
Storage Temperature: -22° to 140° F (-30° to +60° C)
Relative Humidity: 0 to 95% Non-Condensing

Charging

Current: 1 Amp DC
Voltages: 6V, 12V
Chemistry: Lead-Acid and Lithium
Types: Wet, Gel, MF, CA, EFB, AGM, Lithium
Battery Capacity Range: 1.2 Ah - 30 Ah
Maintenance: All Battery Sizes

Power

Output Power: 15 Watts (Max)
Efficiency: 85% (120VAC) / 83% (230VAC)

Protection

IP Rating: IP60

Safety

Short Circuit: Yes
Open-Circuit: Yes
Overheating: Yes
Overcharge: Yes
Spark-Proof: Yes
Reverse Polarity: Yes

Size and Weight

Height: 3.5 Inches (89mm)
Width: 2.3 Inches (58mm)
Depth: 1.3 Inches (33mm)
Weight: 0.77 Pounds (0.35kg)

Cord Management

DC Cable Length: 107 Inches (272cm)
DC Cable Size: 18 AWG
DC Fuse Size: 2 AMP Micro Blade Fuse
AC Cable Length: None
AC Cable Size: None
 Oil, gas, grease, water, chemical, UV, abrasion resistant

Limited Warranty

3-Year Limited Warranty

Charging Times

Battery Size	Approx. Charge Time in Hours	
	6V	12V
8Ah	6	6
12Ah	9	9
18Ah	13.5	13.5
24Ah	18	18
30Ah	22.5	22.5

NOCO genius[®] 1™ CHARGER COMPARISON

GENIUS1AU



25%
MORE POWER

20%
SMALLER SIZE

LITHIUM
CHARGE MODE

SMART
INDICATORS



PROPRIETARY AND CONFIDENTIAL. COPYRIGHT © 2019 THE NOCO COMPANY

THIS DOCUMENT CONTAINS PROPRIETARY, CONFIDENTIAL, COPYRIGHTED, AND TRADE SECRET INFORMATION OF THE NOCO COMPANY AND ITS AFFILIATED COMPANIES ("NOCO"). ALL MATERIAL, INFORMATION, AND CONTENT ARE THE PROPERTY OF NOCO, AND NOCO RETAINS ALL RIGHT, TITLE, AND INTEREST THEREIN. THIS DOCUMENT MAY NOT BE COPIED, DISSEMINATED, DISCLOSED, PUBLISHED, DIVULGED, OR REPRODUCED, IN WHOLE OR IN PART, WITHOUT THE PRIOR WRITTEN CONSENT OF NOCO. TITLE IN AND TO THIS DOCUMENT (NO MATTER IF IN PRINTED, ELECTRONIC, OR ANY OTHER FORM) AND ALL INFORMATION CONTAINED HEREIN REMAINS AT ALL TIMES IN NOCO. NO INTELLECTUAL PROPERTY RIGHTS ARE TRANSFERRED TO YOU BY ACCESS TO THIS DOCUMENT OR OTHERWISE.

V10.07.19A 20

NOCO genius²™ CHARGER & MAINTAINER



GENIUS2AU

2A CHARGING CURRENT

6V & 12V

30W OUTPUT POWER

40Ah BATTERY CAPACITY

GENIUS CHARGERS

ACCESSORIES

OVERVIEW

TECH SPECS

COMPARE



What's In The Box

- Genius 2 Battery Charger w/ Interchangeable Connector
- Clamps w/ Integrated Eyelets
- Mounting Bracket w/ Strap
- (2) Self-Tapping Screws
- User Guide & Warranty Information

Retail Packaging

Dimensions: 3.43" x 4.25" x 6.97"
Weight: 1.23lbs
UPC: 0-46221-19003-8

Inner Carton:

Dimensions: 3.70" x 4.49" x 7.20"
Weight: 1.28lbs

Master Carton:

Dimensions: 15.12" x 11.81" x 5.20"
Weight: 8.44lbs
Quantity: 6
UCC: 10046221190035

Units Per Pallet:

378 Units



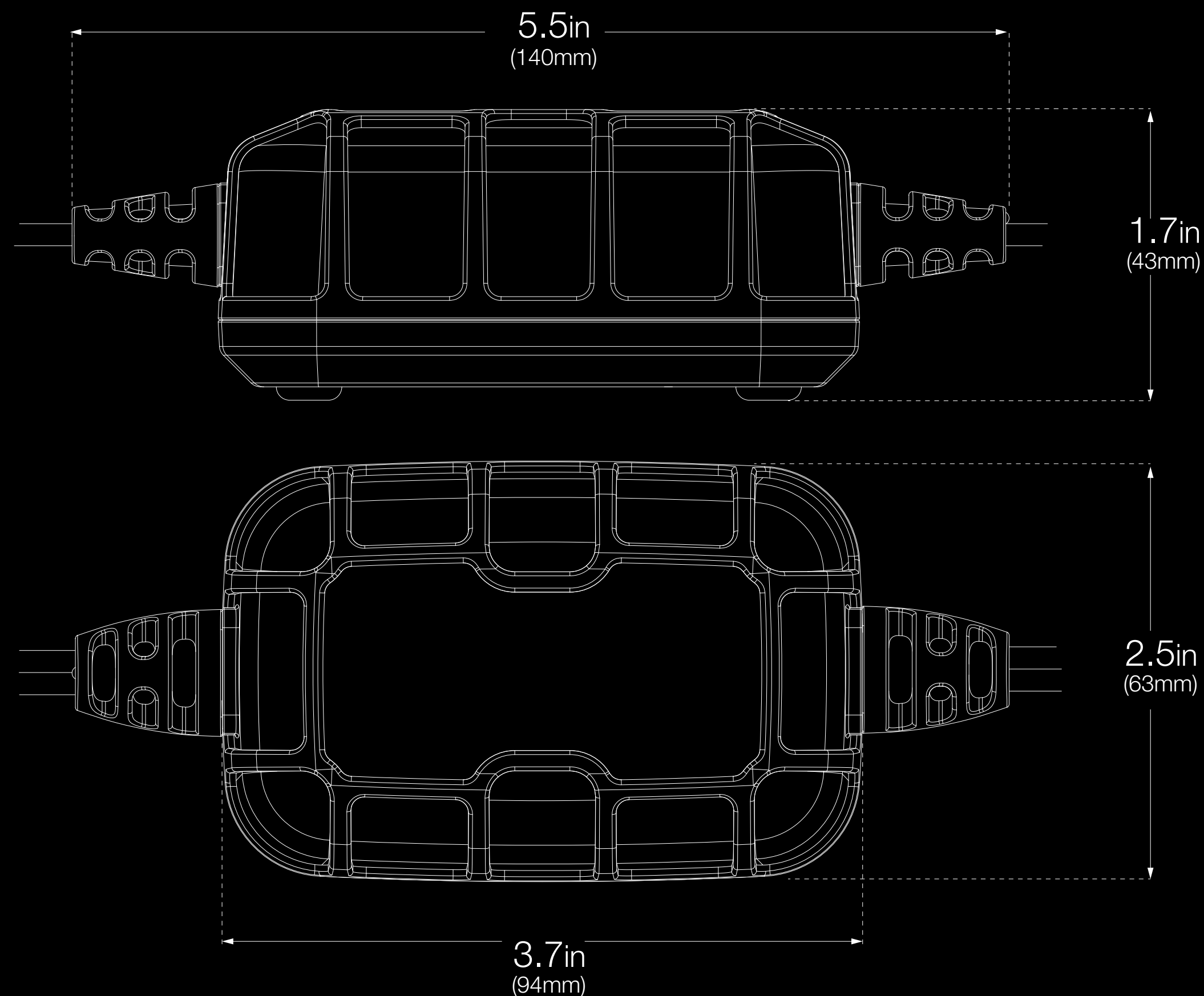
PROPRIETARY AND CONFIDENTIAL. COPYRIGHT © 2019 THE NOCO COMPANY

THIS DOCUMENT CONTAINS PROPRIETARY, CONFIDENTIAL, COPYRIGHTED, AND TRADE SECRET INFORMATION OF THE NOCO COMPANY AND ITS AFFILIATED COMPANIES ("NOCO"). ALL MATERIAL, INFORMATION, AND CONTENT ARE THE PROPERTY OF NOCO, AND NOCO RETAINS ALL RIGHT, TITLE, AND INTEREST THEREIN. THIS DOCUMENT MAY NOT BE COPIED, DISSEMINATED, DISCLOSED, PUBLISHED, DIVULGED, OR REPRODUCED, IN WHOLE OR IN PART, WITHOUT THE PRIOR WRITTEN CONSENT OF NOCO. TITLE IN AND TO THIS DOCUMENT (NO MATTER IF IN PRINTED, ELECTRONIC, OR ANY OTHER FORM) AND ALL INFORMATION CONTAINED HEREIN REMAINS AT ALL TIMES IN NOCO. NO INTELLECTUAL PROPERTY RIGHTS ARE TRANSFERRED TO YOU BY ACCESS TO THIS DOCUMENT OR OTHERWISE.

V10.07.19A 21

NOCO genius[®] 2[™] TECH SPECS

GENIUS2AU



Operating Requirements

Line Voltage AC: 120V to 240V AC, 50-60Hz
Operating Temperature: -4° to 104° F (-20° to +40° C)
Storage Temperature: -22° to 140° F (-30° to +60° C)
Relative Humidity: 0 to 95% Non-Condensing

Charging

Current: 2 Amp DC
Voltages: 6V, 12V
Chemistry: Lead-Acid and Lithium
Types: Wet, Gel, MF, CA, EFB, AGM, Lithium
Battery Capacity Range: 1.2 Ah - 40 Ah
Maintenance: All Battery Sizes

Power

Output Power: 30 Watts (Max)
Efficiency: 87% (120VAC / 230VAC)

Protection

IP Rating: IP65

Safety

Short Circuit: Yes
Open-Circuit: Yes
Overheating: Yes
Overcharge: Yes
Spark-Proof: Yes
Reverse Polarity: Yes

Size and Weight

Height: 3.7 Inches (94mm)
Width: 2.4 Inches (61mm)
Depth: 1.7 Inches (43mm)
Weight: 1.1 Pounds (0.5kg)

Cord Management

DC Cable Length: 77.6 Inches (197cm)
DC Cable Size: 18 AWG
DC Fuse Size: 4 AMP Micro Blade Fuse
AC Cable Length: 71.7 Inches (182cm)
AC Cable Size: 18 AWG
 Oil, gas, grease, water, chemical, UV, abrasion resistant

Limited Warranty

3-Year Limited Warranty

Charging Times

Battery Size	Approx. Charge Time in Hours	
	6V	12V
8Ah	3	3
12Ah	4.5	4.5
18Ah	6.75	6.75
24Ah	9	9
40Ah	15	15

NOCO genius²™ CHARGER COMPARISON

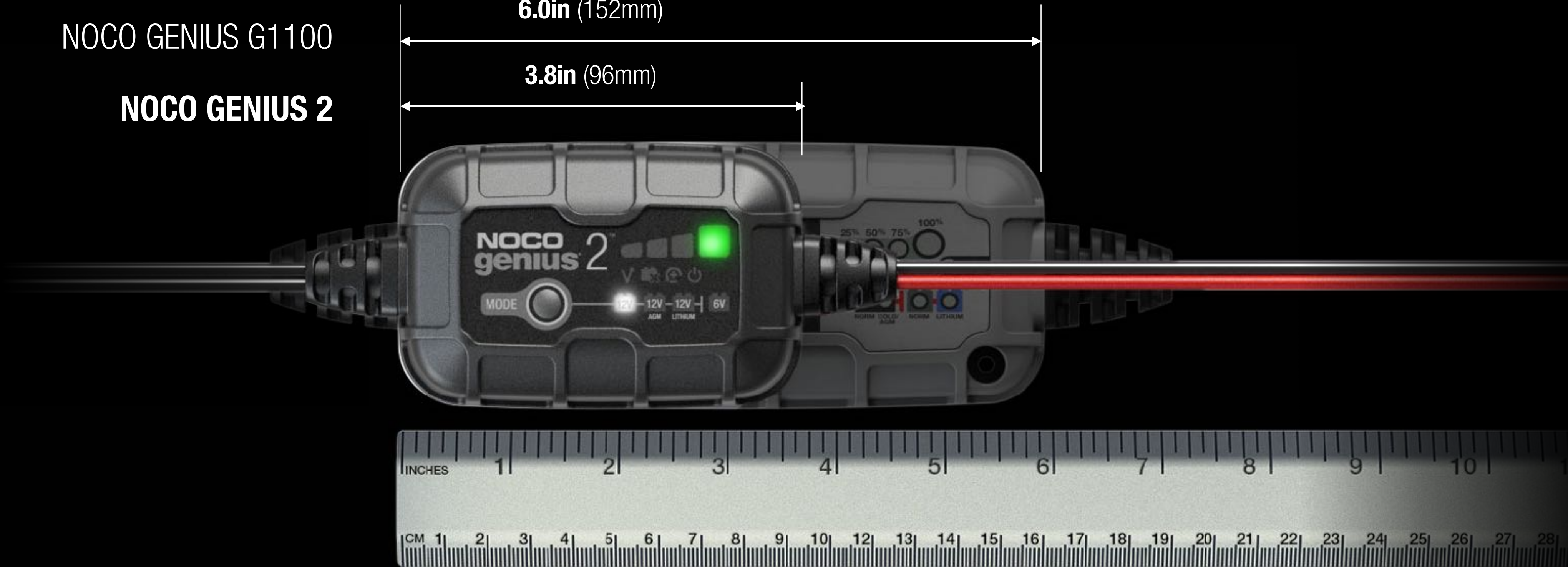
GENIUS2AU

NOCO GENIUS G1100

NOCO GENIUS 2

6.0in (152mm)

3.8in (96mm)



45%
MORE POWER

37%
SMALLER SIZE

LITHIUM
CHARGE MODE

SMART
INDICATORS

NOCO genius[®] 5[™] CHARGER & MAINTAINER



GENIUS5AU

5A CHARGING CURRENT

6V & 12V

75W OUTPUT POWER

120Ah BATTERY CAPACITY

GENIUS CHARGERS

ACCESSORIES

OVERVIEW

TECH SPECS

COMPARE



What's In The Box

- Genius 5 Battery Charger w/ Interchangeable Connector
- Clamps w/ Integrated Eyelets
- Mounting Bracket w/ Strap
- (2) Self-Tapping Screws
- User Guide & Warranty Information

Retail Packaging

Dimensions: 4.61" x 3.43" x 7.95"
Weight: 1.59
UPC: 0-46221-19004-5

Inner Carton:

Dimensions: 4.84" x 3.70" x 8.19"
Weight: 1.75lbs

Master Carton:

Dimensions: 17.10" x 11.97" x 5.51"
Weight: 11.31lbs
Quantity: 6
UCC: 10046221190042

Units Per Pallet:

252 Units

NOCO[®]

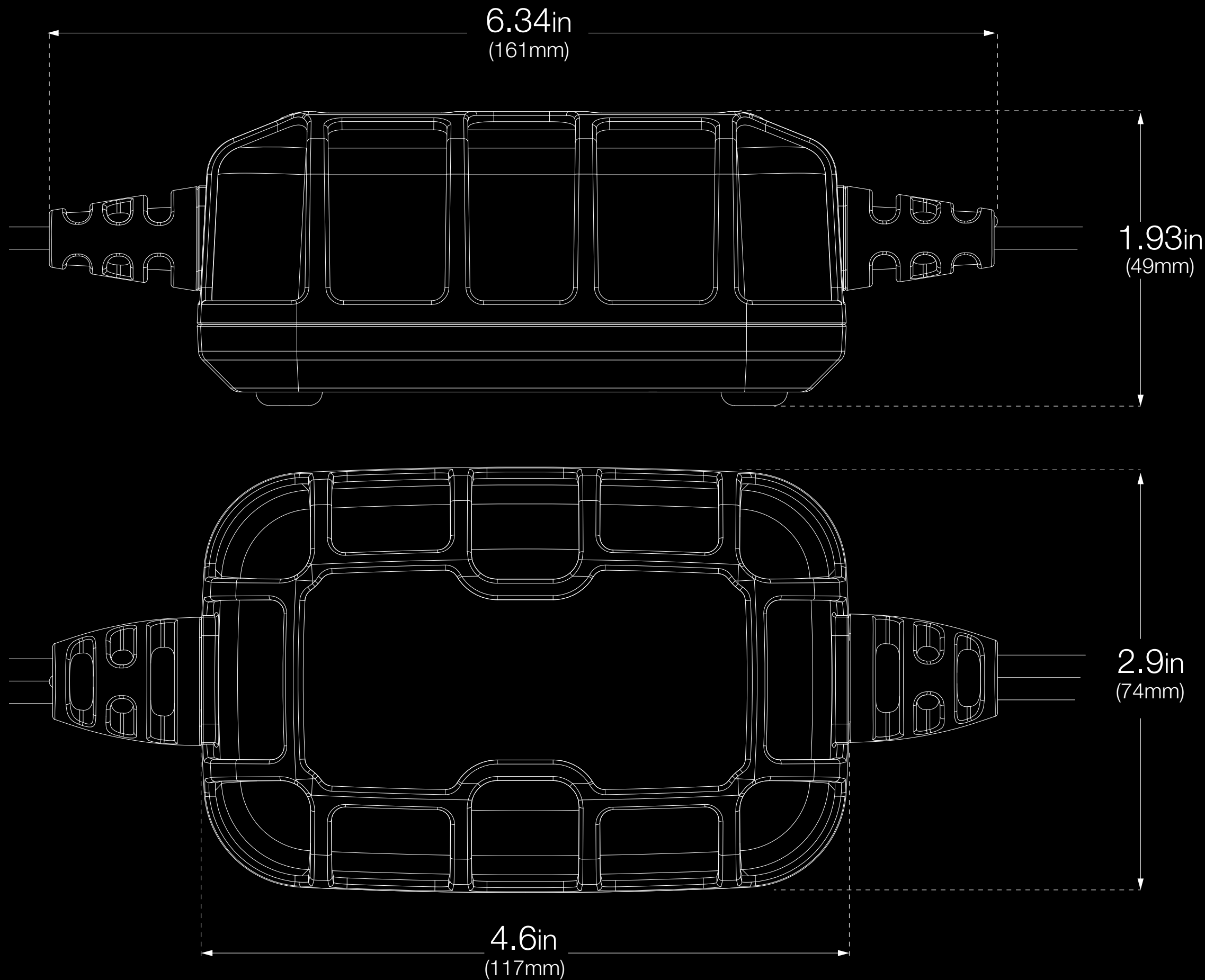
PROPRIETARY AND CONFIDENTIAL. COPYRIGHT © 2019 THE NOCO COMPANY

THIS DOCUMENT CONTAINS PROPRIETARY, CONFIDENTIAL, COPYRIGHTED, AND TRADE SECRET INFORMATION OF THE NOCO COMPANY AND ITS AFFILIATED COMPANIES ("NOCO"). ALL MATERIAL, INFORMATION, AND CONTENT ARE THE PROPERTY OF NOCO, AND NOCO RETAINS ALL RIGHT, TITLE, AND INTEREST THEREIN. THIS DOCUMENT MAY NOT BE COPIED, DISSEMINATED, DISCLOSED, PUBLISHED, DIVULGED, OR REPRODUCED, IN WHOLE OR IN PART, WITHOUT THE PRIOR WRITTEN CONSENT OF NOCO. TITLE IN AND TO THIS DOCUMENT (NO MATTER IF IN PRINTED, ELECTRONIC, OR ANY OTHER FORM) AND ALL INFORMATION CONTAINED HEREIN REMAINS AT ALL TIMES IN NOCO. NO INTELLECTUAL PROPERTY RIGHTS ARE TRANSFERRED TO YOU BY ACCESS TO THIS DOCUMENT OR OTHERWISE.

V10.07.19A 24

NOCO genius[®] 5[™] TECH SPECS

GENIUS5AU



Operating Requirements

Line Voltage AC: 120V to 240V AC, 50-60Hz
Operating Temperature: -4° to 104° F (-20° to +40° C)
Storage Temperature: -22° to 140° F (-30° to +60° C)
Relative Humidity: 0 to 95% Non-Condensing

Charging

Current: 5 Amp DC
Voltages: 6V, 12V
Chemistry: Lead-Acid and Lithium
Types: Wet, Gel, MF, CA, EFB, AGM, Lithium
Battery Capacity Range: 2 Ah - 120 Ah
Maintenance: All Battery Sizes

Power

Output Power: 75 Watts (Max)
Efficiency: 86% (120VAC / 230VAC)

Protection

IP Rating: IP65

Safety

Short Circuit: Yes
Open-Circuit: Yes
Overheating: Yes
Overcharge: Yes
Spark-Proof: Yes
Reverse Polarity: Yes

Size and Weight

Height: 4.6 Inches (117mm)
Width: 2.9 Inches (74mm)
Depth: 1.9 Inches (48mm)
Weight: 1.5 Pounds (0.68kg)

Cord Management

DC Cable Length: 77.6 Inches (197cm)
DC Cable Size: 16 AWG
DC Fuse Size: 10 AMP Micro Blade Fuse
AC Cable Length: 71.7 Inches (182cm)
AC Cable Size: 18 AWG
 Oil, gas, grease, water, chemical, UV, abrasion resistant

Limited Warranty

3-Year Limited Warranty

Charging Times

Battery Size	Approx. Charge Time in Hours	
	6V	12V
20Ah	3	3
40Ah	6	6
80Ah	12	12
100Ah	15	15
120Ah	18	18

NOCO genius[®] 5[™] CHARGER COMPARISON

GENIUS5AU

NOCO GENIUS G3500

NOCO GENIUS 5

7.6in (193mm)

4.6in (117mm)



30%
MORE POWER

40%
SMALLER SIZE

REPAIR
CHARGE MODE

SMART
INDICATORS



PROPRIETARY AND CONFIDENTIAL. COPYRIGHT © 2019 THE NOCO COMPANY

THIS DOCUMENT CONTAINS PROPRIETARY, CONFIDENTIAL, COPYRIGHTED, AND TRADE SECRET INFORMATION OF THE NOCO COMPANY AND ITS AFFILIATED COMPANIES ("NOCO"). ALL MATERIAL, INFORMATION, AND CONTENT ARE THE PROPERTY OF NOCO, AND NOCO RETAINS ALL RIGHT, TITLE, AND INTEREST THEREIN. THIS DOCUMENT MAY NOT BE COPIED, DISSEMINATED, DISCLOSED, PUBLISHED, DIVULGED, OR REPRODUCED, IN WHOLE OR IN PART, WITHOUT THE PRIOR WRITTEN CONSENT OF NOCO. TITLE IN AND TO THIS DOCUMENT (NO MATTER IF IN PRINTED, ELECTRONIC, OR ANY OTHER FORM) AND ALL INFORMATION CONTAINED HEREIN REMAINS AT ALL TIMES IN NOCO. NO INTELLECTUAL PROPERTY RIGHTS ARE TRANSFERRED TO YOU BY ACCESS TO THIS DOCUMENT OR OTHERWISE.

NOCO genius[®] 10™ CHARGER & MAINTAINER

GENIUS10AU

10A CHARGING CURRENT

6V & 12V

150W OUTPUT POWER

230Ah BATTERY CAPACITY



GENIUS CHARGERS

ACCESSORIES

OVERVIEW

TECH SPECS

COMPARE



What's In The Box

- Genius 10 Battery Charger w/ Interchangeable Connector
- Clamps w/ Integrated Eyelets
- Mounting Bracket w/ Strap
- (2) Self-Tapping Screws
- User Guide & Warranty Information

Retail Packaging

Dimensions: 4.41" x 4.76" x 9.10"
Weight: 3.99lbs
UPC: 0-46221-19005-2

Inner Carton:

Dimensions: 4.60" x 4.76" x 9.21"
Weight: 4.17lbs

Master Carton:

Dimensions: 19.02" x 9.84" x 5.71"
Weight: 17.42lbs
Quantity: 4
UCC: 10046221190059

Units Per Pallet:

224 Units

NOCO[®]

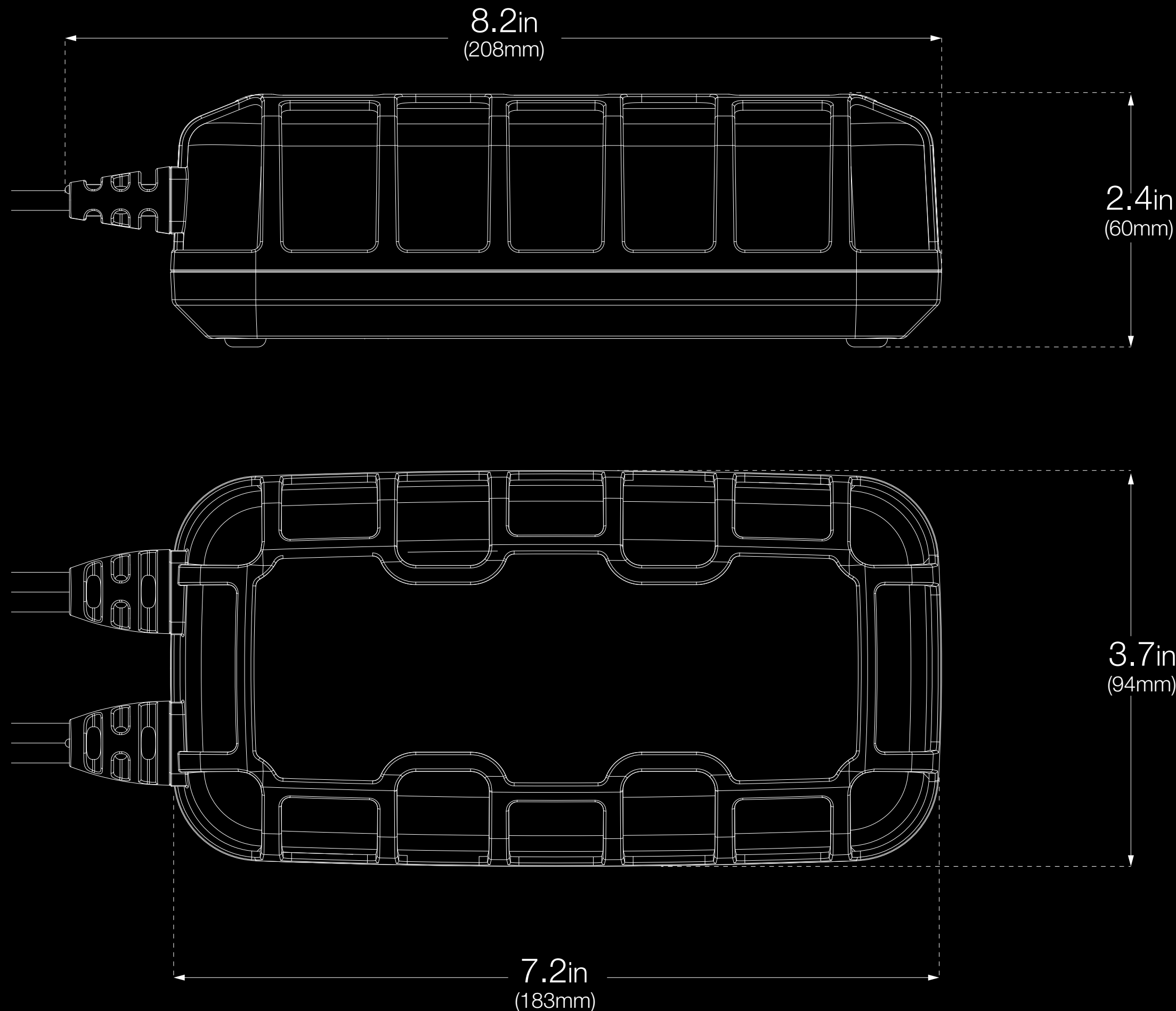
PROPRIETARY AND CONFIDENTIAL. COPYRIGHT © 2019 THE NOCO COMPANY

THIS DOCUMENT CONTAINS PROPRIETARY, CONFIDENTIAL, COPYRIGHTED, AND TRADE SECRET INFORMATION OF THE NOCO COMPANY AND ITS AFFILIATED COMPANIES ("NOCO"). ALL MATERIAL, INFORMATION, AND CONTENT ARE THE PROPERTY OF NOCO, AND NOCO RETAINS ALL RIGHT, TITLE, AND INTEREST THEREIN. THIS DOCUMENT MAY NOT BE COPIED, DISSEMINATED, DISCLOSED, PUBLISHED, DIVULGED, OR REPRODUCED, IN WHOLE OR IN PART, WITHOUT THE PRIOR WRITTEN CONSENT OF NOCO. TITLE IN AND TO THIS DOCUMENT (NO MATTER IF IN PRINTED, ELECTRONIC, OR ANY OTHER FORM) AND ALL INFORMATION CONTAINED HEREIN REMAINS AT ALL TIMES IN NOCO. NO INTELLECTUAL PROPERTY RIGHTS ARE TRANSFERRED TO YOU BY ACCESS TO THIS DOCUMENT OR OTHERWISE.

V10.07.19A 27

NOCO genius[®] 10™ TECH SPECS

GENIUS10AU



Operating Requirements

Line Voltage AC: 120V to 240V AC, 50-60Hz
Operating Temperature: -4° to 104° F (-20° to +40° C)
Storage Temperature: -22° to 140° F (-30° to +60° C)
Relative Humidity: 0 to 95% Non-Condensing

Charging

Current: 10 Amp DC
Voltages: 6V, 12V
Chemistry: Lead-Acid and Lithium
Types: Wet, Gel, MF, CA, EFB, AGM, Lithium
Battery Capacity Range: 2 Ah - 230 Ah
Maintenance: All Battery Sizes

Power

Output Power: 150 Watts (Max)
Efficiency: 87% (120VAC / 230VAC)

Protection

IP Rating: IP65

Safety

Short Circuit: Yes
Open-Circuit: Yes
Overheating: Yes
Overcharge: Yes
Spark-Proof: Yes
Reverse Polarity: Yes

Size and Weight

Height: 7.1 Inches (180mm)
Width: 3.6 Inches (92mm)
Depth: 2.3 Inches (59mm)
Weight: 3.33 Pounds (1.5kg)

Cord Management

DC Cable Length: 77.6 Inches (197cm)
DC Cable Size: 14 AWG
DC Fuse Size: 20 AMP Micro Blade Fuse
AC Cable Length: 71.7 Inches (182cm)
AC Cable Size: 18 AWG
 Oil, gas, grease, water, chemical, UV, abrasion resistant

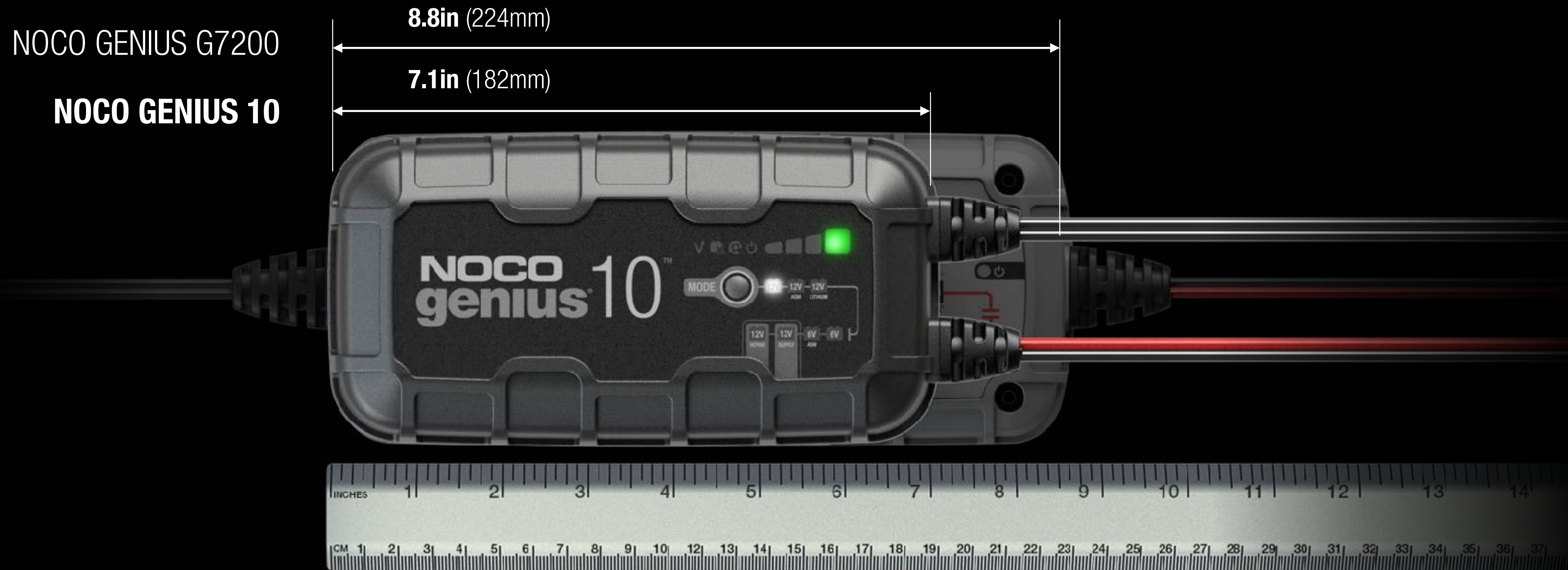
Limited Warranty

3-Year Limited Warranty

Charging Times

Battery Size	Approx. Charge Time in Hours	
	6V	12V
20Ah	1.5	1.5
40Ah	3	3
80Ah	6	6
100Ah	7	7
230Ah	17.3	17.3

NOCO genius[®] 10[™] CHARGER COMPARISON GENIUS10AU



28%
MORE POWER

20%
SMALLER SIZE

REPAIR
CHARGE MODE

SMART
INDICATORS

genius[®] PRODUCT LINE OVERVIEW



	GENIUS1AU	GENIUS2AU	GENIUS5AU	GENIUS10AU
	1A CHARGING CURRENT	2A CHARGING CURRENT	5A CHARGING CURRENT	10A CHARGING CURRENT
	30Ah BATTERY CAPACITY	40Ah BATTERY CAPACITY	120Ah BATTERY CAPACITY	230Ah BATTERY CAPACITY
	15W OUTPUT POWER	30W OUTPUT POWER	75W OUTPUT POWER	150W OUTPUT POWER
	6V CHARGE MODE	6V CHARGE MODE	6V CHARGE MODE	6V CHARGE MODE
	12V CHARGE MODE	12V CHARGE MODE	12V CHARGE MODE	12V CHARGE MODE
	12V AGM & LITHIUM CHARGE MODE	12V AGM & LITHIUM CHARGE MODE	12V AGM & LITHIUM CHARGE MODE	12V AGM & LITHIUM CHARGE MODE
			12V REPAIR MODE	12V REPAIR MODE
				13.6V POWER SUPPLY MODE
				6V AGM MODE



PROPRIETARY AND CONFIDENTIAL. COPYRIGHT © 2019 THE NOCO COMPANY

THIS DOCUMENT CONTAINS PROPRIETARY, CONFIDENTIAL, COPYRIGHTED, AND TRADE SECRET INFORMATION OF THE NOCO COMPANY AND ITS AFFILIATED COMPANIES ("NOCO"). ALL MATERIAL, INFORMATION, AND CONTENT ARE THE PROPERTY OF NOCO, AND NOCO RETAINS ALL RIGHT, TITLE, AND INTEREST THEREIN. THIS DOCUMENT MAY NOT BE COPIED, DISSEMINATED, DISCLOSED, PUBLISHED, DIVULGED, OR REPRODUCED, IN WHOLE OR IN PART, WITHOUT THE PRIOR WRITTEN CONSENT OF NOCO. TITLE IN AND TO THIS DOCUMENT (NO MATTER IF IN PRINTED, ELECTRONIC, OR ANY OTHER FORM) AND ALL INFORMATION CONTAINED HEREIN REMAINS AT ALL TIMES IN NOCO. NO INTELLECTUAL PROPERTY RIGHTS ARE TRANSFERRED TO YOU BY ACCESS TO THIS DOCUMENT OR OTHERWISE.

NOCO X-CONNECT[®] ACCESSORIES



LVGC001

X-Connect
Micro Clamps



LVGC002

X-Connect Eyelet
Terminal Connector



LVGC003

X-Connect 12V
Male Plug



LVGC004

X-Connect 10'
Extension Cable



LVGC006

X-Connect
G10 Clamps



LVGC008

X-Connect XL
Eyelet Terminal



LVGC009

X-Connect SAE
Adapter



LVGC010

X-Connect 12V
Female Plug



LVGC012

X-Connect OBDII
Connector



LVGC013

X-Connect
Male-To-Male Coupler



LVGC015

X-Connect 12V
Indicator



LVGC016

X-Connect 12V
Dashmount Indicator

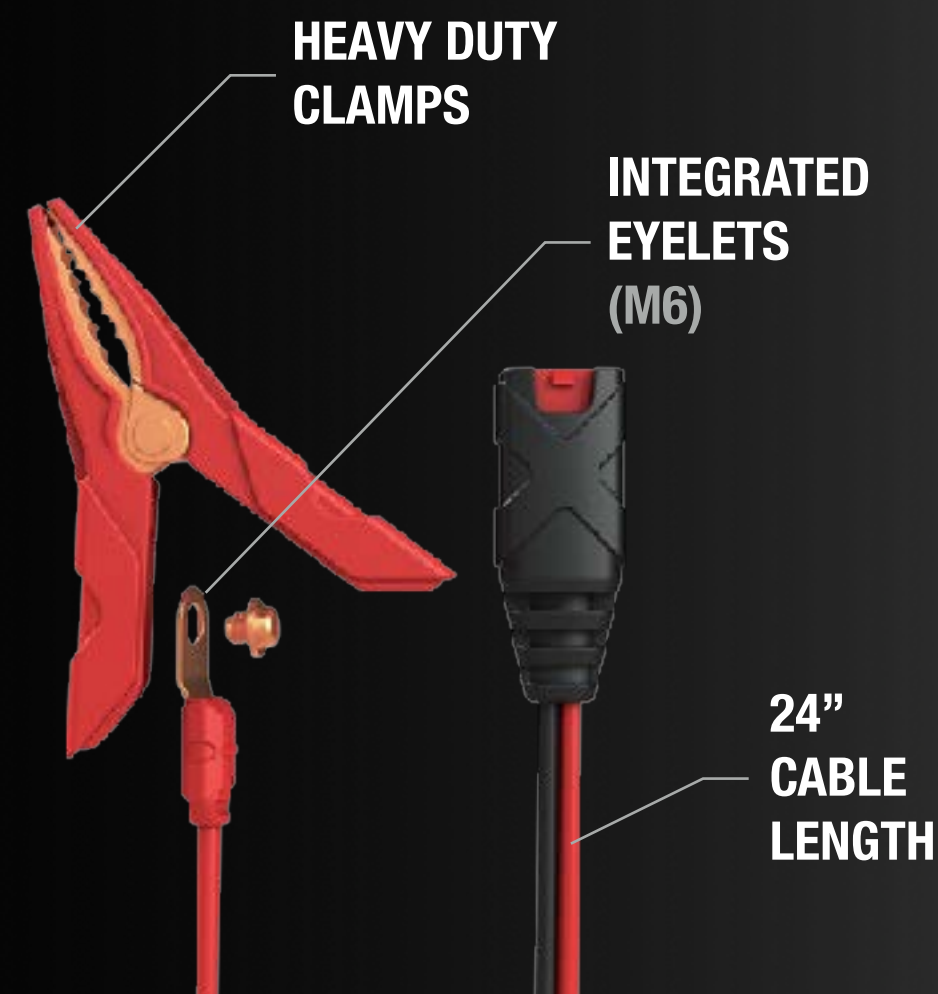
LVGC001 X-CONNECT MICRO CLAMPS

16 AWG

INTEGRATED EYELETS
M6 HOLE SIZE



The GC001 allows a Genius charger to easily connect and disconnect from any battery.



What's In The Box

- GC001 X-Connect Eyelet Micro Clamps

Retail Packaging

Dimensions: 1.6\" x 5.1\" x 3.2\"
Weight: XXX lbs
UPC: 0-46221-XXXX

Inner Carton:

Dimensions: 1.8\" x 5.4\" x 3.5\"
Weight: XXX lbs

Master Carton:

Dimensions: 11.3\" x 11.9\" x 11.6\"
Weight: XXX lbs
Quantity: 36
UCC: 100462211XXXX

Units Per Pallet:

3,456 Units

LVGC002 X-CONNECT EYELET TERMINAL CONNECTOR

16 AWG

M6 HOLE
SIZE



Permanently mounting the GC002 to a battery allows any Genius charger to connect quickly and easily.

M6 EYELET
HOLE SIZE
(1/4 INCH)



24"
CABLE
LENGTH



What's In The Box

- GC002 X-Connect Eyelet Terminal Connector

Retail Packaging

Dimensions: 1.6" x 5.1" x 3.2"
Weight: 0.20 lbs
UPC: 0-46221-10055-6

Inner Carton:

Dimensions: 1.8" x 5.4" x 3.5"
Weight: 0.24 lbs

Master Carton:

Dimensions: 11.3" x 11.9" x 11.6"
Weight: 9.66 lbs
Quantity: 36
UCC: 10046221100553

Units Per Pallet:

3,456 Units

LVGC003 X-CONNECT 12V MALE PLUG



16 AWG

12V MALE PLUG

The GC003 allows a Genius charger to charge and maintain a vehicle's battery through the 12V and 12V-mini auxiliary ports.



What's In The Box

- GC003 X-Connect 12V Male Plug

Retail Packaging

Dimensions: 1.6" x 5.1" x 3.2"
Weight: 0.16 lbs
UPC: 0-46221-10056-3

Inner Carton:

Dimensions: 1.8" x 5.4" x 3.5"
Weight: 0.22 lbs

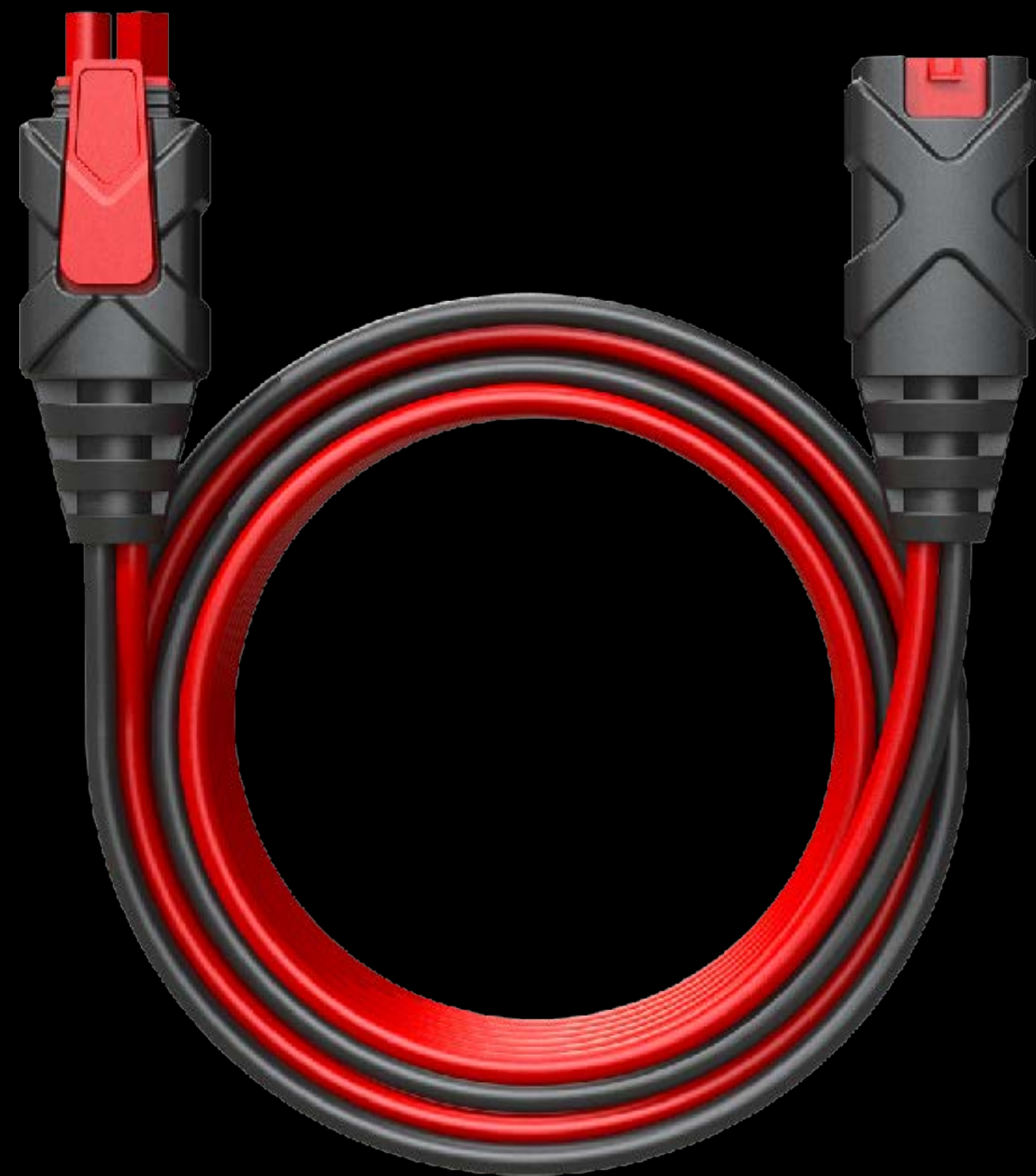
Master Carton:

Dimensions: 11.3" x 11.9" x 11.6"
Weight: 8.84 lbs
Quantity: 36
UCC: 10046221100560

Units Per Pallet:

3,456 Units

LVGC004 X-CONNECT 10 FOOT EXTENSION CABLE



16 AWG

10' CABLE LENGTH

X-CONNECT MALE PLUG

X-CONNECT FEMALE PLUG



The GC004 extends the reach of any Genius battery charger or accessory, making it easier to reach awkward locations.



What's In The Box

- GC004 X-Connect 10 Foot Extension Cable

Retail Packaging

Dimensions: 1.6" x 5.1" x 3.2"
 Weight: 0.42 lbs
 UPC: 0-46221-10057-0

Inner Carton:

Dimensions: 1.8" x 5.4" x 3.5"
 Weight: 0.46 lbs

Master Carton:

Dimensions: 11.3" x 11.9" x 11.6"
 Weight: 17.66 lbs
 Quantity: 36
 UCC: 10046221100577

Units Per Pallet:

3,456 Units

PROPRIETARY AND CONFIDENTIAL. COPYRIGHT © 2019 THE NOCO COMPANY

THIS DOCUMENT CONTAINS PROPRIETARY, CONFIDENTIAL, COPYRIGHTED, AND TRADE SECRET INFORMATION OF THE NOCO COMPANY AND ITS AFFILIATED COMPANIES ("NOCO"). ALL MATERIAL, INFORMATION, AND CONTENT ARE THE PROPERTY OF NOCO, AND NOCO RETAINS ALL RIGHT, TITLE, AND INTEREST THEREIN. THIS DOCUMENT MAY NOT BE COPIED, DISSEMINATED, DISCLOSED, PUBLISHED, DIVULGED, OR REPRODUCED, IN WHOLE OR IN PART, WITHOUT THE PRIOR WRITTEN CONSENT OF NOCO. TITLE IN AND TO THIS DOCUMENT (NO MATTER IF IN PRINTED, ELECTRONIC, OR ANY OTHER FORM) AND ALL INFORMATION CONTAINED HEREIN REMAINS AT ALL TIMES IN NOCO. NO INTELLECTUAL PROPERTY RIGHTS ARE TRANSFERRED TO YOU BY ACCESS TO THIS DOCUMENT OR OTHERWISE.

LVGC006 X-CONNECT G10 CLAMPS



The GC006 allows a battery charger to easily connect and disconnect from any battery.

16 AWG

INTEGRATED EYELETS
M10 HOLE
SIZE



What's In The Box

- GC002 X-Connect Eyelet Micro Clamps

Retail Packaging

Dimensions: 1.6\" x 5.1\" x 3.2\"
Weight: XXX lbs
UPC: 0-46221-XXXX

Inner Carton:

Dimensions: 1.8\" x 5.4\" x 3.5\"
Weight: XXX lbs

Master Carton:

Dimensions: 11.3\" x 11.9\" x 11.6\"
Weight: XXX lbs
Quantity: 36
UCC: 100462211XXXX

Units Per Pallet:

3,456 Units



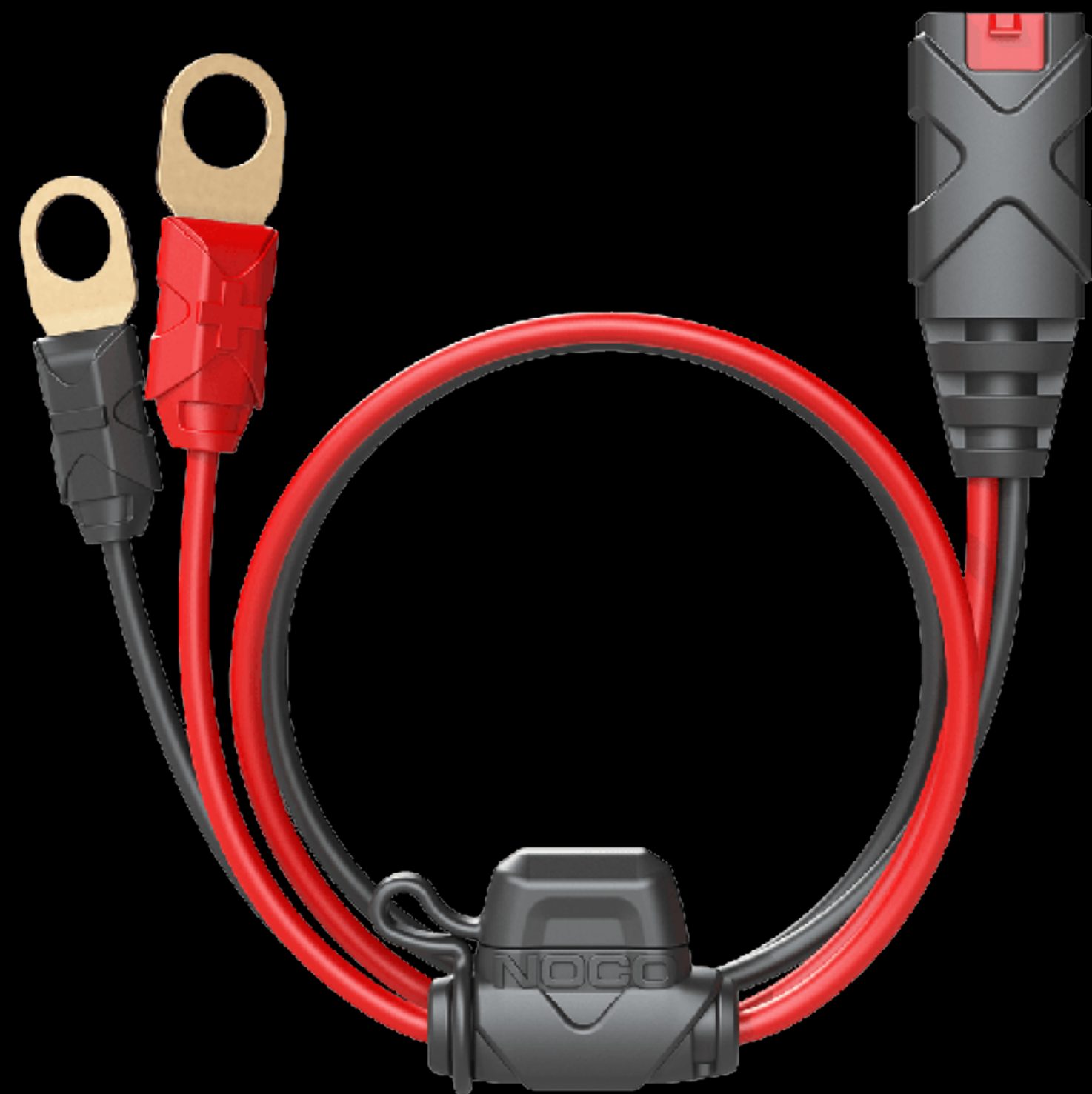
PROPRIETARY AND CONFIDENTIAL. COPYRIGHT © 2019 THE NOCO COMPANY

THIS DOCUMENT CONTAINS PROPRIETARY, CONFIDENTIAL, COPYRIGHTED, AND TRADE SECRET INFORMATION OF THE NOCO COMPANY AND ITS AFFILIATED COMPANIES ("NOCO"). ALL MATERIAL, INFORMATION, AND CONTENT ARE THE PROPERTY OF NOCO, AND NOCO RETAINS ALL RIGHT, TITLE, AND INTEREST THEREIN. THIS DOCUMENT MAY NOT BE COPIED, DISSEMINATED, DISCLOSED, PUBLISHED, DIVULGED, OR REPRODUCED, IN WHOLE OR IN PART, WITHOUT THE PRIOR WRITTEN CONSENT OF NOCO. TITLE IN AND TO THIS DOCUMENT (NO MATTER IF IN PRINTED, ELECTRONIC, OR ANY OTHER FORM) AND ALL INFORMATION CONTAINED HEREIN REMAINS AT ALL TIMES IN NOCO. NO INTELLECTUAL PROPERTY RIGHTS ARE TRANSFERRED TO YOU BY ACCESS TO THIS DOCUMENT OR OTHERWISE.

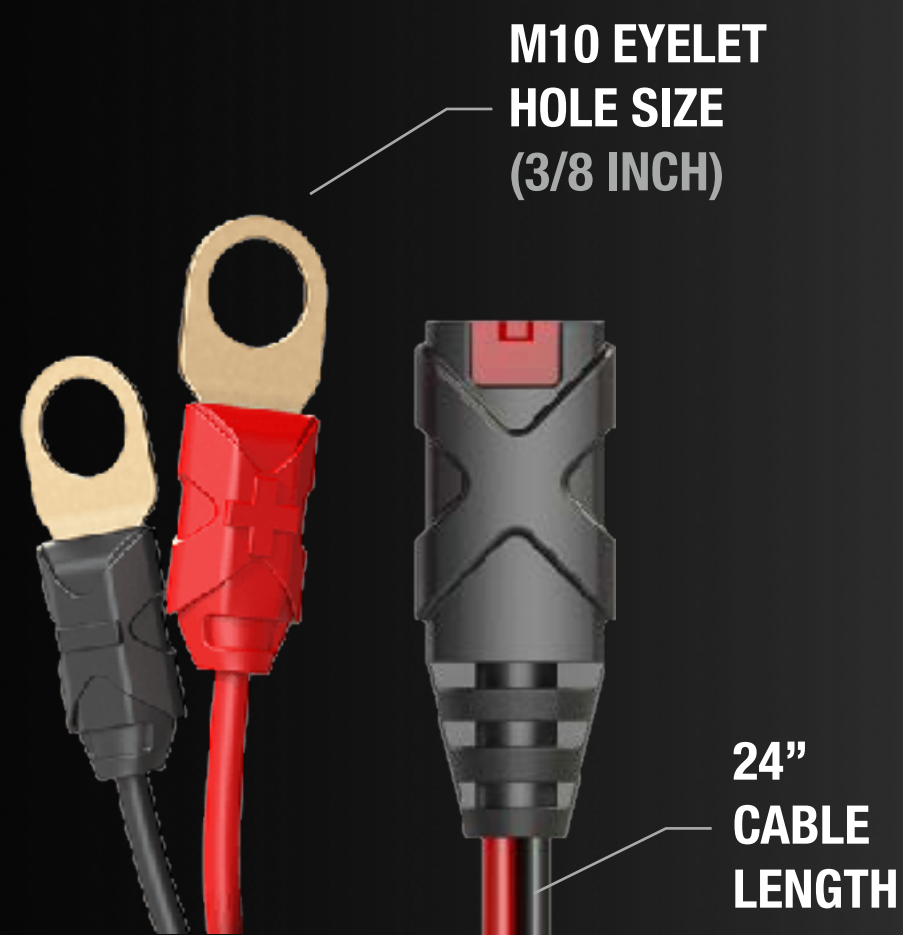
LVGC008 X-CONNECT XL EYELET TERMINAL CONNECTOR

16 AWG

M10 HOLE SIZE



Permanently mounting the GC008 to a battery allows any Genius charger to connect quickly and easily.



M10 EYELET HOLE SIZE (3/8 INCH)

24" CABLE LENGTH



What's In The Box

- GC008 X-Connect XL Eyelet Terminal Connector

Retail Packaging

Dimensions: 1.6" x 5.1" x 3.2"
Weight: 0.20 lbs
UPC: 0-46221-10070-9

Inner Carton:

Dimensions: 1.8" x 5.4" x 3.5"
Weight: 0.25 lbs

Master Carton:

Dimensions: 11.3" x 11.9" x 11.6"
Weight: 9.85 lbs
Quantity: 36
UCC: 10046221100706

Units Per Pallet:

3,456 Units

LVGC009 X-CONNECT SAE ADAPTER



16 AWG

**SAE OUTPUT
ADAPTER**

SAE ADAPTER



**1" CABLE
LENGTH**

The GC009 allows SAE adapters and accessories to connect to Genius chargers.



What's In The Box

- GC009 X-Connect SAE Adapter

Retail Packaging

Dimensions: 1.6" x 5.1" x 3.2"
Weight: 0.09 lbs
UPC: 0-46221-11006-7

Inner Carton:

Dimensions: 1.8" x 5.4" x 3.5"
Weight: 0.15 lbs

Master Carton:

Dimensions: 11.3" x 11.9" x 11.6"
Weight: 6.31 lbs
Quantity: 36
UCC: 10046221120452

Units Per Pallet:

3,456 Units

LVGC010 X-CONNECT 12V PLUG FEMALE OUTLET



The GC010 allows Genius chargers to act as a 12V outlet when set to power supply mode.

16 AWG

12V FEMALE PLUG



12V FEMALE PLUG

24" CABLE LENGTH



What's In The Box

- GC010 X-Connect 12V Plug Female Outlet

Retail Packaging

Dimensions: 1.6" x 5.1" x 3.2"
Weight: 0.20 lbs
UPC: 0-46221-12043-1

Inner Carton:

Dimensions: 1.8" x 5.4" x 3.5"
Weight: 0.26 lbs

Master Carton:

Dimensions: 11.3" x 11.9" x 11.6"
Weight: 10.63 lbs
Quantity: 36
UCC: 10046221120438

Units Per Pallet:

3,456 Units

LVGC012 X-CONNECT OBDII CONNECTOR

16 AWG

OBDII CONNECTOR CHARGING CAPABILITY



The GC012 allows Genius chargers to connect to OBDII ports for easy charging without any direct interaction to the battery. It can also be used with the 13.6V supply mode to maintain vehicle power during battery replacements.



What's In The Box

- GC012 X-Connect OBDII Connector

Retail Packaging

Dimensions: 1.6" x 5.1" x 3.2"
Weight: 0.29 lbs
UPC: 0-46221-12045-5

Inner Carton:

Dimensions: 1.8" x 5.4" x 3.5"
Weight: 0.34 lbs

Master Carton:

Dimensions: 11.3" x 11.9" x 11.6"
Weight: 13.47 lbs
Quantity: 36
UCC: 10046221120452

Units Per Pallet:

3,456 Units



PROPRIETARY AND CONFIDENTIAL. COPYRIGHT © 2019 THE NOCO COMPANY

THIS DOCUMENT CONTAINS PROPRIETARY, CONFIDENTIAL, COPYRIGHTED, AND TRADE SECRET INFORMATION OF THE NOCO COMPANY AND ITS AFFILIATED COMPANIES ("NOCO"). ALL MATERIAL, INFORMATION, AND CONTENT ARE THE PROPERTY OF NOCO, AND NOCO RETAINS ALL RIGHT, TITLE, AND INTEREST THEREIN. THIS DOCUMENT MAY NOT BE COPIED, DISSEMINATED, DISCLOSED, PUBLISHED, DIVULGED, OR REPRODUCED, IN WHOLE OR IN PART, WITHOUT THE PRIOR WRITTEN CONSENT OF NOCO. TITLE IN AND TO THIS DOCUMENT (NO MATTER IF IN PRINTED, ELECTRONIC, OR ANY OTHER FORM) AND ALL INFORMATION CONTAINED HEREIN REMAINS AT ALL TIMES IN NOCO. NO INTELLECTUAL PROPERTY RIGHTS ARE TRANSFERRED TO YOU BY ACCESS TO THIS DOCUMENT OR OTHERWISE.

LVGC013 X-CONNECT MALE-TO-MALE COUPLER

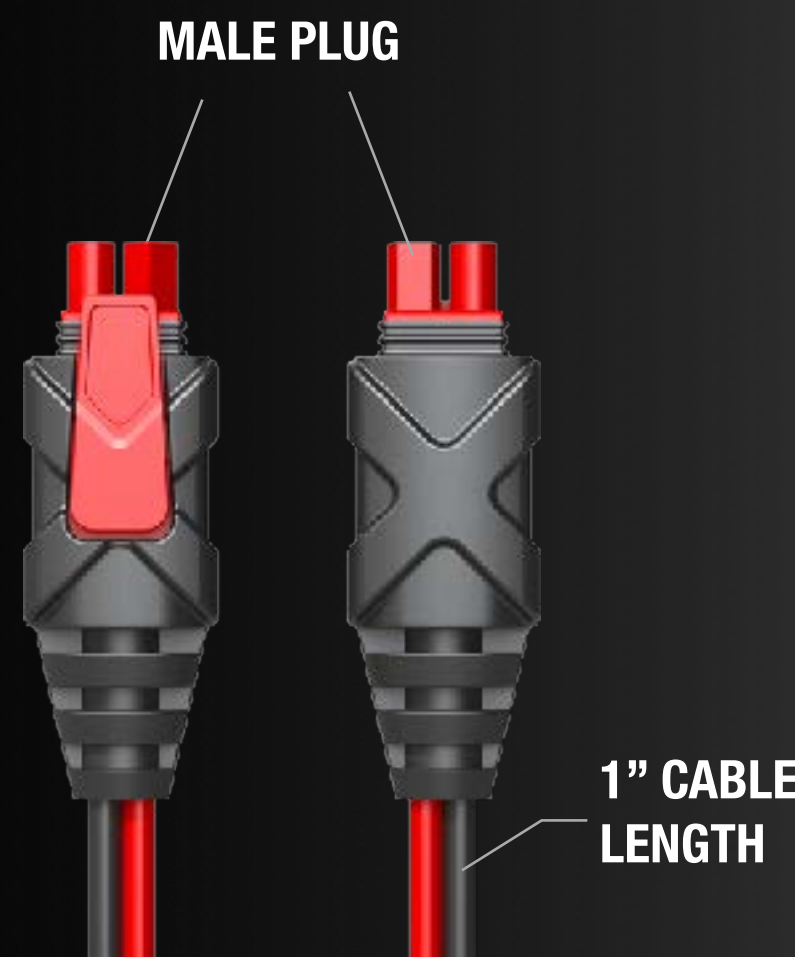


16 AWG

MALE-TO-MALE COUPLER



The GC013 allows NOCO accessories to connect to each other for endless possibilities.



What's In The Box

- GC013 X-Connect Male-To-Male Coupler

Retail Packaging

Dimensions: 1.6" x 5.1" x 3.2"
Weight: 0.10 lbs
UPC: 0-46221-12046-2

Inner Carton:

Dimensions: 1.8" x 5.4" x 3.5"
Weight: 0.15 lbs

Master Carton:

Dimensions: 11.3" x 11.9" x 11.6"
Weight: 6.39 lbs
Quantity: 36
UCC: 10046221120469

Units Per Pallet:

3,456 Units

LVGC015

X-CONNECT 12V INDICATOR



16 AWG

CHARGE LEVEL INDICATOR

The GC015 can be permanently mounted to a battery for quick and easy charging while displaying the charge status of the battery.

M10 EYELET
HOLE SIZE
(3/8 INCH)

CHARGE
STATUS
INDICATOR



24"
CABLE
LENGTH



What's In The Box

- GC015 X-Connect 12V Indicator

Retail Packaging

Dimensions: 1.6" x 5.1" x 3.2"
Weight: 0.22 lbs
UPC: 0-46221-12022-6

Inner Carton:

Dimensions: 1.8" x 5.4" x 3.5"
Weight: 0.26 lbs

Master Carton:

Dimensions: 11.3" x 11.9" x 11.6"
Weight: 10.63 lbs
Quantity: 36
UCC: 10046221120223

Units Per Pallet:

3,456 Units

LVGC016

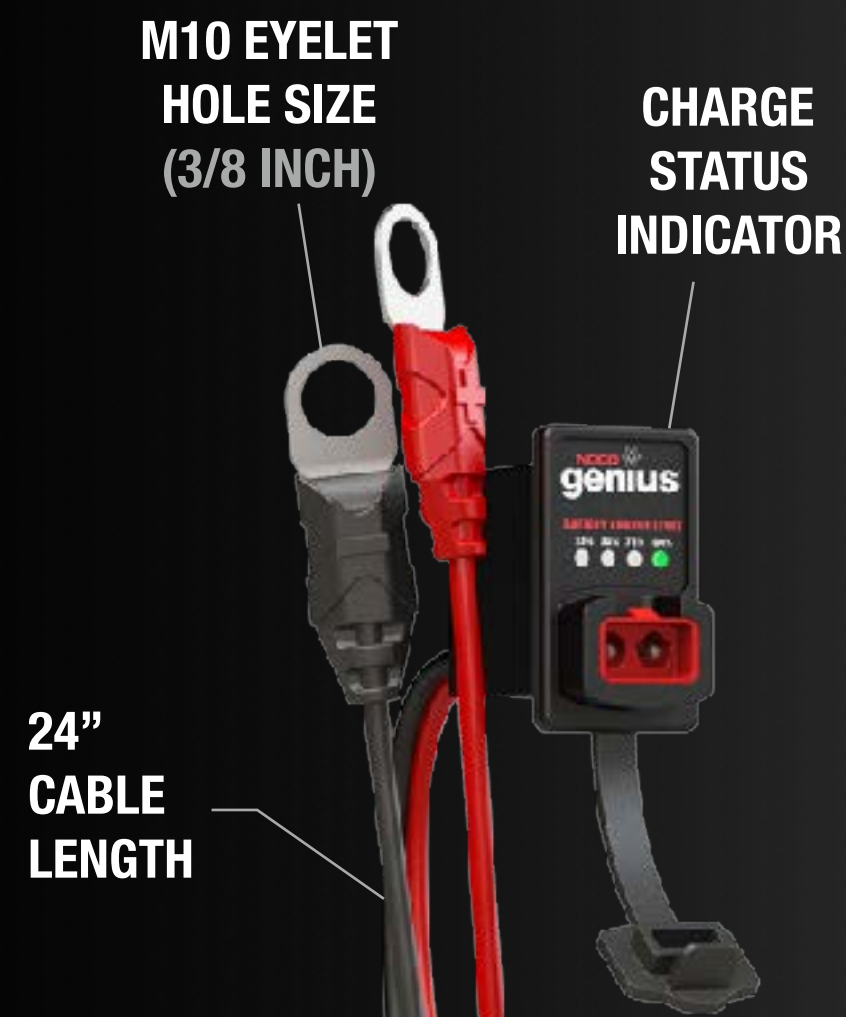
X-CONNECT 12V BATTERY INDICATOR



16 AWG

DASH-MOUNT INDICATOR

The GC016 can be permanently mounted to a battery for quick and easy charging while displaying the charge status of the battery.



What's In The Box

- GC016 X-Connect 12V Dash-Mount Indicator

Retail Packaging

Dimensions: 1.6" x 5.1" x 3.2"
 Weight: 0.09 lbs
 UPC: 0-46221-11006-7

Inner Carton:

Dimensions: 1.8" x 5.4" x 3.5"
 Weight: 0.15 lbs

Master Carton:

Dimensions: 11.3" x 11.9" x 11.6"
 Weight: 13.47 lbs
 Quantity: 36
 UCC: 10046221120469

Units Per Pallet:

3,456 Units



PROPRIETARY AND CONFIDENTIAL. COPYRIGHT © 2019 THE NOCO COMPANY

THIS DOCUMENT CONTAINS PROPRIETARY, CONFIDENTIAL, COPYRIGHTED, AND TRADE SECRET INFORMATION OF THE NOCO COMPANY AND ITS AFFILIATED COMPANIES ("NOCO"). ALL MATERIAL, INFORMATION, AND CONTENT ARE THE PROPERTY OF NOCO, AND NOCO RETAINS ALL RIGHT, TITLE, AND INTEREST THEREIN. THIS DOCUMENT MAY NOT BE COPIED, DISSEMINATED, DISCLOSED, PUBLISHED, DIVULGED, OR REPRODUCED, IN WHOLE OR IN PART, WITHOUT THE PRIOR WRITTEN CONSENT OF NOCO. TITLE IN AND TO THIS DOCUMENT (NO MATTER IF IN PRINTED, ELECTRONIC, OR ANY OTHER FORM) AND ALL INFORMATION CONTAINED HEREIN REMAINS AT ALL TIMES IN NOCO. NO INTELLECTUAL PROPERTY RIGHTS ARE TRANSFERRED TO YOU BY ACCESS TO THIS DOCUMENT OR OTHERWISE.

Even if speeds were twice as great as they are today—and other motoring hazards likewise multiplied — you could still ride with confidence on
MOHAWK HEAVY DUTY BALLOONS

MOHAWK TIRES

MOHAWK TIRES

MOHAWK TIRES

MOHAWK TIRES