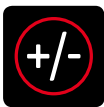


## FEATURES

- Complete plug & play wiring harness kits for driving lamps & light bars
- Suitable for 12V & 24V vehicles
- Plug & play H4/HB3 piggyback connector
- Waterproof Deutsch or ATP connectors
- Supplied with 12V & 24V relays
- Fitted with illuminated rocker switches
- Compatible with positive & negative switched headlamp systems
- Compatible with all Roadvision RHBT Series High Beam Patch Harnesses
- Models to suit Roadvision Dual Coloured DRL Driving Lights Bars & Light Bars
- Simple DIY installation



12V & 24V VEHICLES



HEADLAMP SYSTEMS



PLUG & PLAY

WIRING HARNESSES

Roadvision's wiring kits provide a complete DIY solution, delivering a professional installation for driving lamps and light bars. Supplied with quality harnesses, relays, switches, plugs and connectors, they make installation quick and hassle-free.

Our second-generation wiring kits feature smart electronics that automatically detect both positive and negative headlamp systems. The simple plug & play design works with halogen, HID, and LED bulbs—no complex modifications required.

### PART NUMBERS - SUITS ROADVISION DUAL COLOURED DRL BAR LIGHTS & DRIVING LIGHTS



#### RBWKD

Universal Single Bar Lamp Wiring Harness with Dual Coloured DRL

- 4 Pin Deutsch Connector
- Bar Lamp Rocker Switch & DRL Rocker Switch
- Suits up to 140W Light Bars



#### RDWKD

Universal Driving Light Wiring Harness with Dual Coloured DRL

- 2 x 4 Pin Deutsch Connectors
- Driving Lamp Rocker Switch & DRL Rocker Switch
- Suits Pair of Driving Lights



#### RBHDWKD

Universal Heavy Duty Single Bar Lamp Wiring Harness with Dual Coloured DRL

- 4 Pin ATP Connector
- Bar Lamp Rocker Switch & DRL Rocker Switch
- Suits 140 – 300W Light Bars

### PART NUMBERS - SUITS ROADVISION STANDARD BAR LIGHTS & DRIVING LIGHTS



#### RBWK

Universal Single Bar Lamp Wiring Harness

- 2 Pin Deutsch Connector
- Bar Lamp Rocker Switch
- Suits up to 140W Light Bars



#### RDWK

Universal Driving Light Wiring Harness

- 2 x 2 Pin Deutsch Connectors
- Driving Lamp Rocker Switch
- Suits Pair of Driving Lights



#### RBHDWK

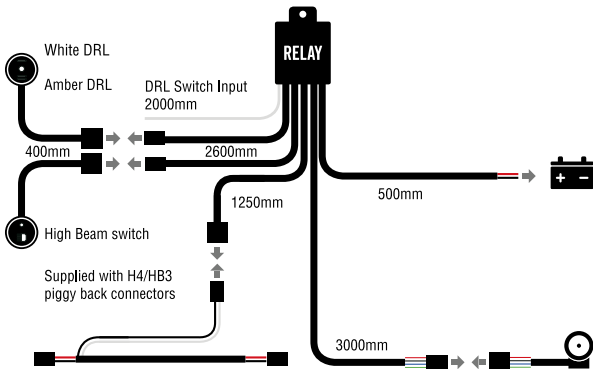
Universal Heavy Duty Single Bar Lamp Wiring Harness

- 2 Pin ATP Connector
- Bar Lamp Rocker Switch
- Suits 140 – 300W Light Bars

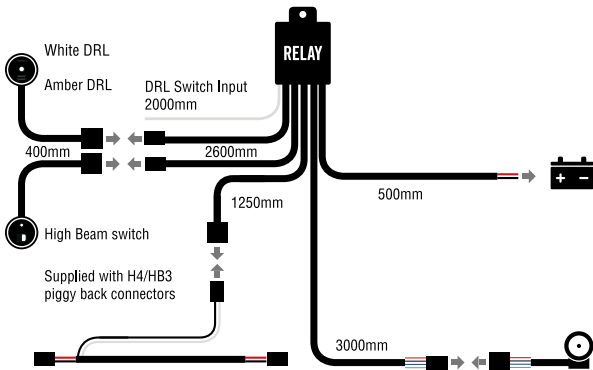


## WIRING DIAGRAMS - ROADVISION DUAL COLOURED DRL BAR & DRIVING LIGHTS

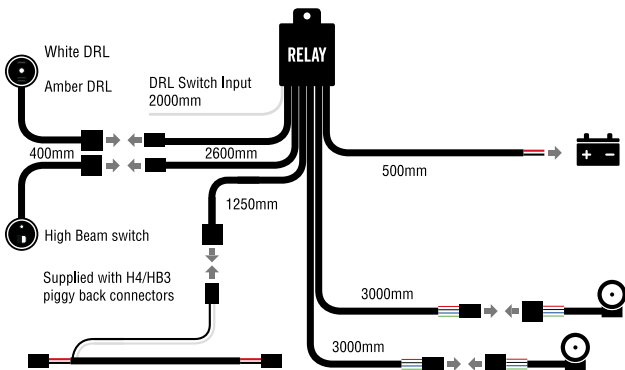
RBWKD



RBHDWKD

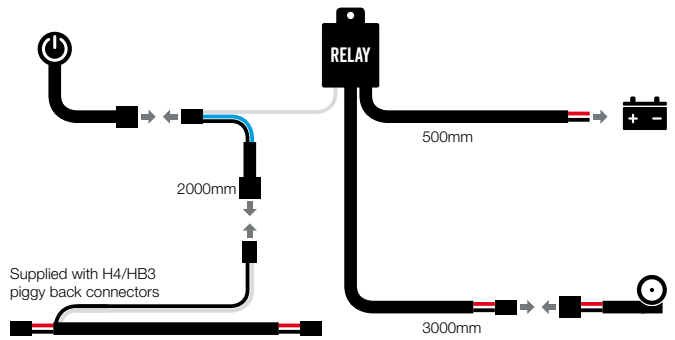


RDWKD

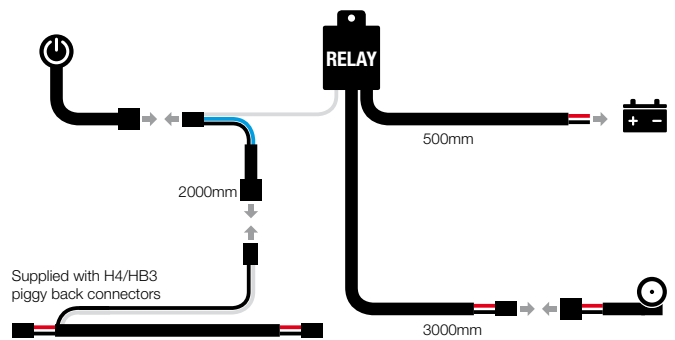


## WIRING DIAGRAMS - ROADVISION STANDARD BAR & DRIVING LIGHTS

RBWK



RBHDWK



RDWK

