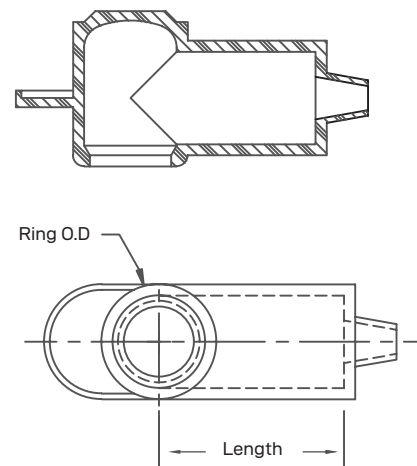


TERMINAL INSULATORS



- Meets & exceeds industry standards
- Designed to protect ring, lug & battery terminals
- Prevents accidental short circuiting at the terminals or studs
- PVC material
- Temperature rating 105°C
- Pack of 5

PACK OF 5



PRODUCT INFORMATION

Part No.	Ring O.D	Description	Length	Cable Size	Colour
LV2470	26mm	Insulator	41mm	2B&S -00B&S	Black
LV2470R	26mm	Insulator	41mm	2B&S -00B&S	Red
LV2470E	26mm	Insulator - extended	52mm	2B&S -00B&S	Black
LV2470ER	26mm	Insulator - extended	52mm	2B&S -00B&S	Red
LV2471	28mm	Insulator	44mm	2B&S -00B&S	Black
LV2471R	28mm	Insulator	44mm	2B&S -00B&S	Red
LV2472	32mm	Insulator	44mm	2B&S -00B&S	Black
LV2472R	32mm	Insulator	44mm	2B&S -00B&S	Red
LV2473	32mm	Insulator	60mm	2B&S -00B&S	Black
LV2473R	32mm	Insulator	60mm	2B&S -00B&S	Red
LV2474	32mm	Insulator	44mm	3/0 - 4/0B&S	Black
LV2474R	32mm	Insulator	44mm	3/0 - 4/0B&S	Red