

NARVA®

THE VISION TO GO FURTHER

NEW PRODUCT RELEASE 'AEROTECH'® L.E.D LIGHT BOXES



KEY FEATURES

- Designed, Engineered and Tested in Australia
- Ultra bright, uniform output which meets and exceeds all international standards
- Durable housing with extreme vibration resistance
- Versatile, easy mounting
- Available in a range of sizes and colours to suit just about any application



AeroTech® Light Boxes:

The revolutionary AeroTech® light box range is the brightest in the Narva range of primary warning lights. Featuring 3 sizes which can suit everything from light commercial up to transport, construction and mining applications. AeroTech® light boxes are also easy and versatile to mount because of the integrating cradle which allows mounting with or without the cradle.

The range includes amber and clear lens models with permanent or magnetic mounting options with 3 metres of cable. The range also includes dual colour options.

Visible:

The AeroTech® range of light boxes has been designed to be the brightest and most visible primary warning lights. This has been achieved with the combination of precision lens optics, high power L.E.D.s along with a unique reflector design to ensure superior visibility day or night.

AeroTech® light boxes are engineered to produce uniform, ultra-bright output which meets and exceeds all international standards. The double flash on all three sizes of AeroTech® light boxes is up to 6 times brighter than SAE Class 1. This ensures they are visible in even the brightest Australian conditions.

Optional Night Mode:

Because of their extreme brightness, AeroTech light boxes also include an optional night mode which can be wired up to either a switch or the vehicle park lights to ensure the light box does not dazzle road users or workers at night or in low light conditions.



Durable:

Ultrasonic welding seals the light boxes from water and dust, ensuring an IP67+IP69K rating. Heavy-duty bases ensure durability in all applications. The polycarbonate lenses themselves, virtually unbreakable, and use a special Makrolon 2607 material which is resistant to UV. Solid state circuitry means no moving parts, so no mechanical failures. This attention to detail enables Narva to provide a 7-year warranty. These lights really are engineered to go further.

AeroTech® went through exhaustive testing at Narva's in-house testing facility which has been backed by independent approved and accredited labs. AeroTech®'s durability testing included thermal shock, vibration, mechanical shock, salt spray, ingress protection and real-world environment tests. They are vibration tested to ISO and Military spec and are CISPR 25 Class 3 approved to ensure no RFI.

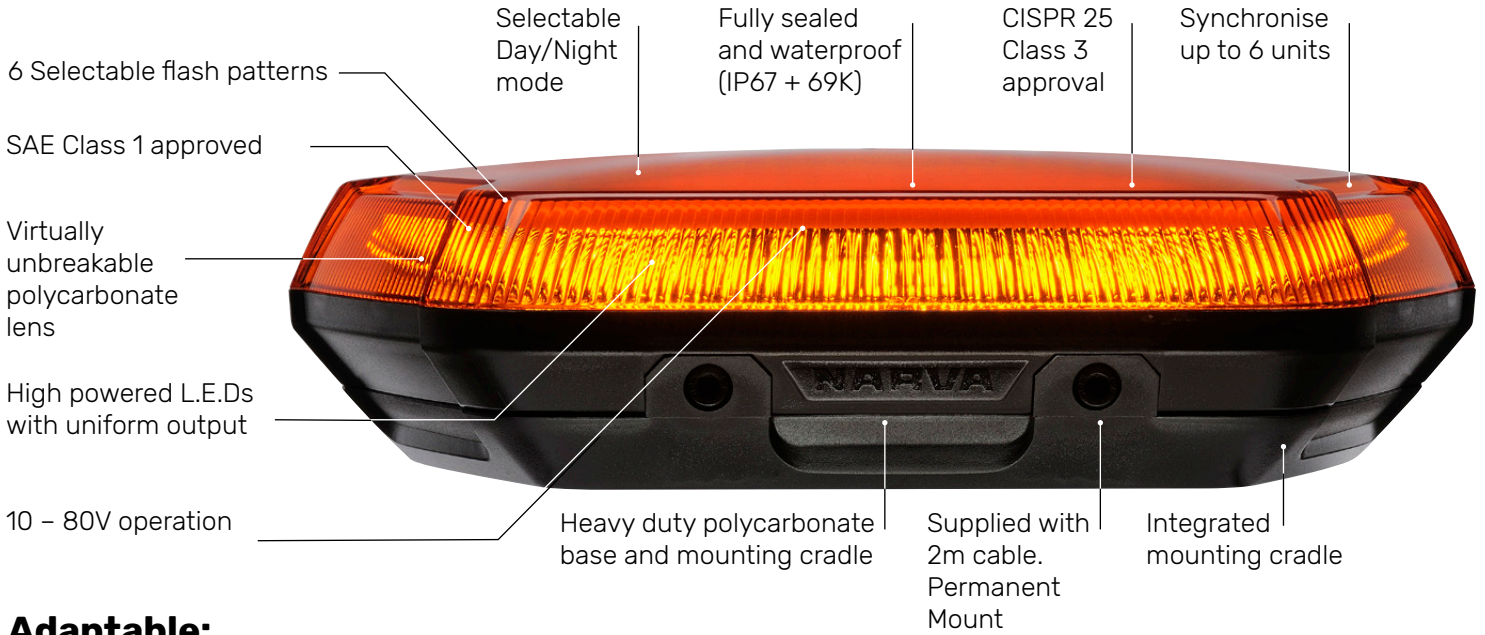


Vibration tested to ISO and Military specifications

AeroTech® Light Box Application Guide

P/No.	RANGE	LIGHT COMMERCIAL				COMMERCIAL & CONSTRUCTION				
		Indoor Forklift	Outdoor Forklift	Vans	Tradie Utes	Road Cleaners	Council Utes	Small Trucks	Traffic Management	Council Vehicles
85015A/AC	AeroTech® Light Box									
85017A/AC	AeroTech® Light Box									
85019A/AC	AeroTech® Light Box									

Features:



Adaptable:

The AeroTech® range has multiple mounting options. With the option to mount via bolts to the cradle, directly to the base or even a magnetic mounting option rated to 120km/h with part numbers 85016A/85016AC. They come in 3 different sizes to suit any need, from light commercial up to transport, construction and mining applications. All sizes available in Amber and Clear.



With Cradle



Also mounts without the cradle for low profile option



Magnetic base

Light Box Flash Patterns:

Double Flash (SAE, ECE TA2)



Ultra (alternating flash)



Ultra (cross flash)



Rotate



Quint



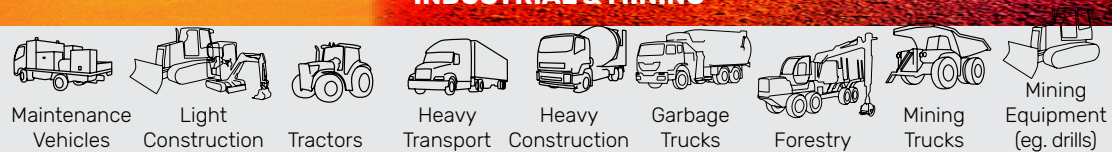
Double rotate



Steady on



INDUSTRIAL & MINING



Orange	Red	Red	Red	Grey	Grey	Grey	Grey	Grey
Green	Orange	Orange	Red	Red	Red	Red	Red	Red
Green	Green	Green	Green	Green	Green	Green	Green	Green

- Ideal
- Acceptable
- Occasional
- Not suitable

AEROTECH® L.E.D LIGHT BOXES

The AeroTech® range of LED light boxes has a product for any amber application from light commercial to industrial; visit narva.com.au/aerotech for more information.

AeroTech® Light Box Range

Dual colour options available on request



P/No. 85015AC, 85015A

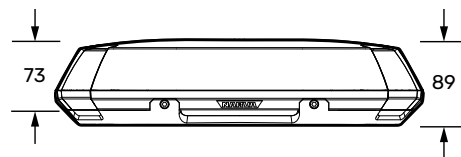
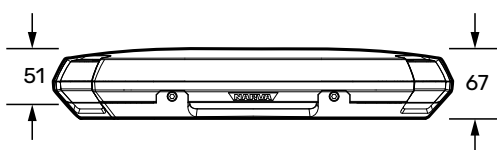
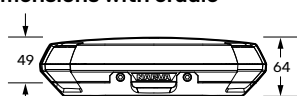


P/No. 85017AC, 85017A

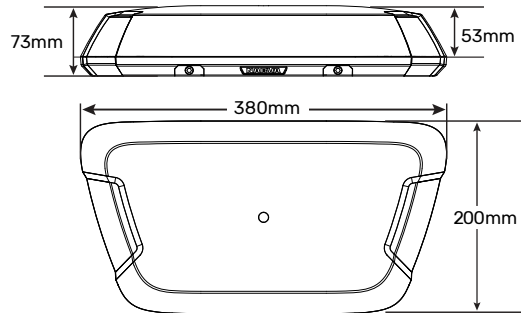
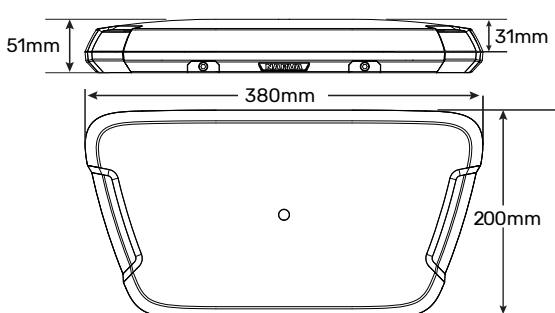
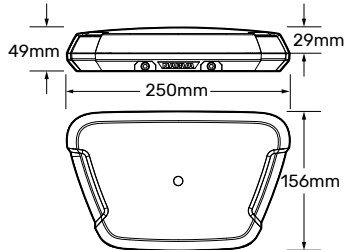


P/No. 85019AC, 85019A

Dimensions with cradle



Dimensions without cradle



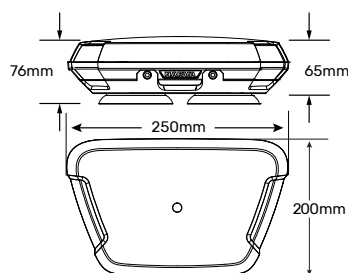
P/No. 85015AC, 85015A

P/No. 85017AC, 85017A

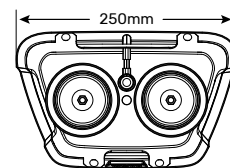
P/No. 85019AC, 85019A



P/No. 85016AC, 85016A



P/No. 85016AC, 85016A



PART No.	DESCRIPTION	BARCODE	QTY	AVAILABILITY
85015A	10-80V 250mm AeroTech® LED Light Box (Amber)	9314464995231	1	Ex Stock
85015AC	10-80V 250mm AeroTech® LED Light Box (Amber) Clear Lens	9314464995279	1	Ex Stock
85016A	10-80V 250mm AeroTech® LED Light Box (Amber) Magnetic Base	9314464995248	1	Ex Stock
85016AC	10-80V 250mm AeroTech® LED Light Box (Amber) Clear Lens, Magnetic Base	9314464995286	1	Ex Stock
85017A	10-80V 380mm AeroTech® LED Light Box (Amber) Clear Lens	9314464995255	1	Ex Stock
85017AC	10-80V 380mm AeroTech® LED Light Box (Amber) Clear Lens	9314464995293	1	Ex Stock
85019A	10-80V 380mm AeroTech® LED Light Box (Amber) Double	9314464995262	1	Ex Stock
85019AC	10-80V 380mm AeroTech® LED Light Box (Amber) Clear Lens, Double	9314464995309	1	Ex Stock