

RLB402 SERIES

ROADVISION



FEATURES





- Low profile 10 function 360° high intensity LED mini light bars
- Single, strobe, triple, simulated rotating & combination flash patterns
- Multi-volt 10-30V input & low current draw
- 48 SMD LED's produce 40W
- 100,000 hour rated LED lifespan
- Maintenance free solid state technology
- Tough polycarbonate lens & housing
- Waterproof IP67 rated and vibration proof
- Compact low profile 398 x 217 x 47mm body
- Available in fixed or magnetic mounts
- EMC, ECE R65/R10 & SAE J845 class 1 approved

LED EMERGENCY LIGHT BARS



The Revolver RLB402 Series low profile mini light bars are the pinnacle in vehicle roof top emergency lighting. Featuring 360 degree high intensity LEDs and 10 selectable flash patterns, the RLB402 Series provide high penetration, high level lighting, from a truly compact yet robust package. Roadvision's high performance Revolver Series emergency lamps are manufactured with LED's (Light Emitting Diodes), rather than regular halogen or xenon strobe bulbs, providing a 100,000 hour rated LED lifespan. With both a polycarbonate housing and lenses, IP67 (waterproof) and SAE Class 1, CISPR25 Class 3 ratings, the RLB402 Series robust construction provides a weatherproof, high performance light bar with no maintenance required. Whether it's through dust, mist or fog, the REVOLVER Series LED compact light bars ensure vehicle visibility in even the toughest conditions.

PART NUMBERS

	RLB402MY LED Light Bar Mini Revolver 10-30V Amber Magnetic Mount 10 Function SAE Class 1 CISPR25 Class 3		RLB402Y LED Light Bar Mini Revolver 10-30V Amber Fixed Mount 10 Function SAE Class 1 CISPR25 Class 3
	RLB402MYC LED Light Bar Mini Revolver 10-30V Amber/Clear Lens Mag 10 Function SAE Class 1 CISPR25 Class 3		RLB402YC LED Light Bar Mini Revolver 10-30V Amber/Clear Lens Fixed 10 Function SAE Class 1 CISPR25 Class 3

SPECIFICATIONS	RLB402MY	RLB402MYC	RLB402Y	RLB402YC
FUNCTION	10 Selectable Flash Patterns	10 Selectable Flash Patterns	10 Selectable Flash Patterns	10 Selectable Flash Patterns
LIGHT SOURCE	80 x 1W LED's	80 x 1W LED's	80 x 1W LED's	80 x 1W LED's
FLASH / ROTATION RATE	10 Flash Patterns	10 Flash Patterns	10 Flash Patterns	10 Flash Patterns
DIMENSIONS	398x217x47mm	398x217x47mm	398x217x47mm	398x217x47mm
CURRENT DRAW AMPS	3.3 - 4.2A	3.3 - 4.2A	3.3 - 4.2A	3.3 - 4.2A
MOUNTING TYPE	Magnetic Mount	Magnetic Mount	Fixed 206x72mm Centre to Centre	Fixed 206x72mm Centre to Centre
WIRING	2500mm Lead with Cig.Plug	2500mm Lead with Cig.Plug	500mm Sheathed	500mm Sheathed
APPROVALS	ECE R65 Class 2, ECE R10, SAE Class 1, CISPR25 Class 3	ECE R65 Class 2, ECE R10, SAE Class 1, CISPR25 Class 3	ECE R65 Class 2, ECE R10, SAE Class 1, CISPR25 Class 3	ECE R65 Class 2, ECE R10, SAE Class 1, CISPR25 Class 3

FLASH PATTERN OPERATION FOR FLASH PATTERN CHANGE:

Momentarily apply +VDC to yellow wire (fixed model) or by pressing pattern switch on cigarette lighter switch (magnetic model):

- 0.5 Seconds for next pattern
- 2.5 Seconds for flash pattern #1



ON/OFF SWITCH

with LED Indicator

Cigarette lighter switch only available in magnetic mount

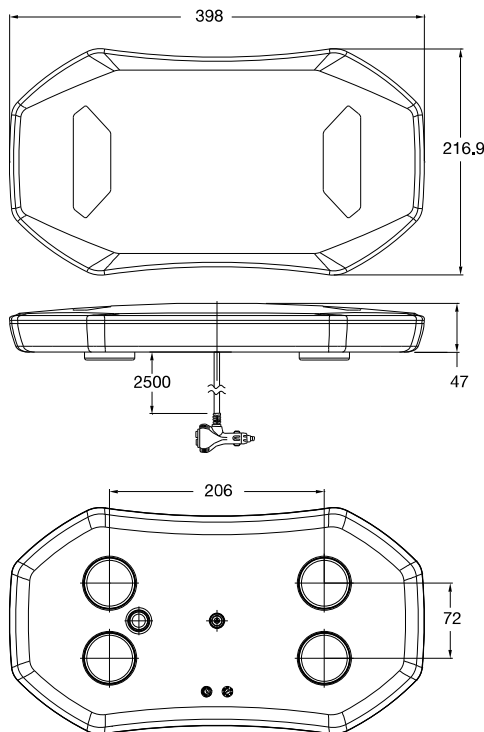
FLASH PATTERN SWITCH:

Momentarily push switch to change flash patterns

FLASH PATTERNS

1	Single Flash (ECE, By day): 480 ms	2	Single Flash (ECE, By night): 480 ms
3	Single Flash (CT13): 800 ms	4	Double Flash: 480 ms
5	Triple Flash: 480 ms	6	Clockwise rotation: 800 ms
7	Single (Left& Right) Half: 480 ms	8	Triple (Middle) + Triple (Two ends) + Triple (Full) : 2700 ms
9	LHS & RHS "C" shape: 800 ms	10	Progressive (Left) + Progressive (Right): 2400 ms

LINE DIAGRAM - MAGNETIC



LINE DIAGRAM - FIXED

