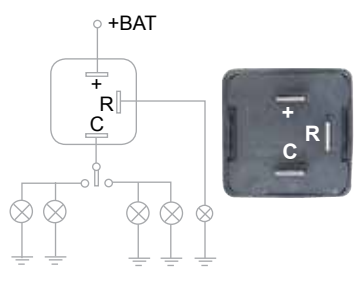


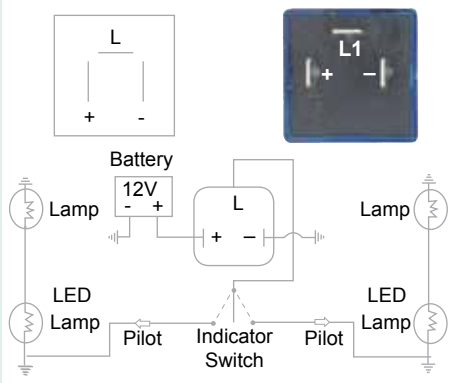
Flashers

E50-1000 12V Electronic Flasher - 3 Pin



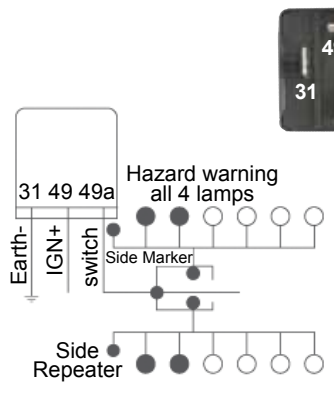
- High Capacity
- Maximum Load 180 Watt

E50-1015 12V LED Flasher - 3 Pin



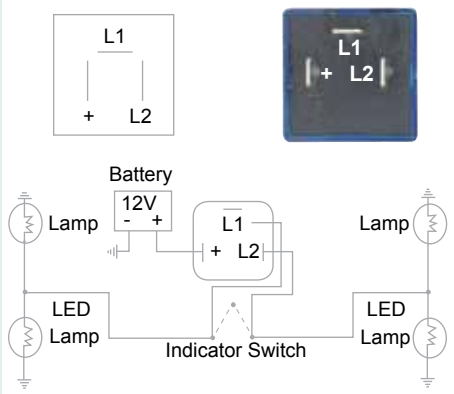
- Suitable for use where rear LED Indicators are used in conjunction with front incandescent indicators. For example Utes & Trucks
- Eliminates the need for load resistors
- Will not operate correctly without the load of an incandescent globe.

E75-3016LED1 12V Electronic Flasher Unit - 3 Pin



- Specifically designed for use with DuraLed® Rear Direction Indicator lamps on motor vehicles, such as prime movers, trucks & motor homes
- Max Load:
Front Direction Indicator Lamp 1(2) x 21W
DuraLed® Rear Direction Indicator Lamp 1(2) x 9W

E50-1017 12V LED Wig Wag Flasher - 3 Pin



- 0.1-130 Watt
- Wig Wag Flash Pattern
- Will not operate correctly without the load of an incandescent globe.