

LED Combination Lamps



FEATURES

- 12V input & low current draw
- Polycarbonate housing & lens
- Easy to install complete DIY plug & play kits
- Suitable for the average home handyman
- No crimping, soldering or joining of wires
- Twist lock plugs provide secure connection
- Waterproof with internal O-ring seals
- Eliminates harness corrosion from moisture ingress
- Available with 207 rect. or 208 square combination lamps
- Suitable for 6x4 & 8x5 trailers
- 7 Pin flat & 7 pin round trailer plug options
- ADR / ECE approved
- 5 Year warranty



LEDLink™ wiring kits for 6x4 & 8x5 trailers - Using Roadvision's new LEDLink™ plug and play system, our trailer wiring kits are a complete DIY solution eliminating the need for any cutting, soldering or joining of trailer wiring. Simply mount the lamps, push in and twist the waterproof LEDLink™ connectors, cable tie the harness to the chassis and you're done. Complete with everything you need... Plug and play wiring harness, pair of rear combination lamps, licence plate lamp and both 7 pin flat or 7 pin large round trailer plugs. Roadvision LEDLink™ trailer kits are simple to install, deliver a perfect installation every time and protect the entire trailer lighting system from corrosion and water ingress. Installing trailer lamps has never been so easy!

PART NUMBERS



BR207K6X4

Combination lamp trailer kit LED 207 series 6x4. 12V Stop/Tail/Ind/Ref/Lic rectangle 150 x 80mm + BR25B + 7TPF + 7TPR 6x4 trailer kit with LEDLink™ harness



BR208K6X4

Combination lamp trailer kit LED 208 series 6x4. 12V Stop/Tail/Ind/Ref/Lic square 100 x 100mm + BR25B + 7TPF + 7TPR 6x4 trailer kit with LEDLink™ harness



BR207K8X5

Combination lamp trailer kit LED 207 series 8x5. 12V Stop/Tail/Ind/Ref/Lic rectangle 150 x 80mm + BR25B + 7TPF + 7TPR 8x5 trailer kit with LEDLink™ harness



BR208K8X5

Combination lamp trailer kit LED 208 series 8x5. 12V Stop/Tail/Ind/Ref/Lic square 100 x 100mm + BR25B + 7TPF + 7TPR 8x5 trailer kit with LEDLink™ harness



SPARE PARTS & ACCESSORIES



BR208LRP

Replacement LEDLink BR208LR with 150mm Lead (Pair)



BR207LRP

Replacement LEDLink BR207LR with 150mm Lead (Pair)



BR25BP

Replacement LEDLink BR25B with 150mm Lead

SPARE PARTS & ACCESSORIES



LLF7P5

7 Pin Flat LEDLink Trailer Plug 150mm Lead



LLR7P5

7 Pin Round Large LEDLink Trailer Plug 150mm Lead

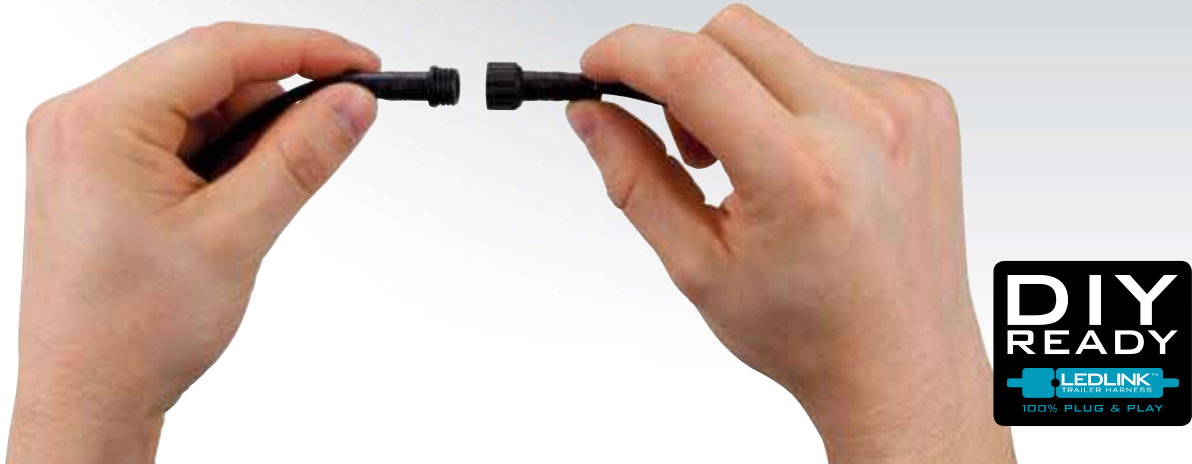


LLS7P5

7 Pin Round Small LEDLink Trailer Plug 150mm Lead

INSTALLING TRAILER LAMPS HAS NEVER BEEN SO EASY!

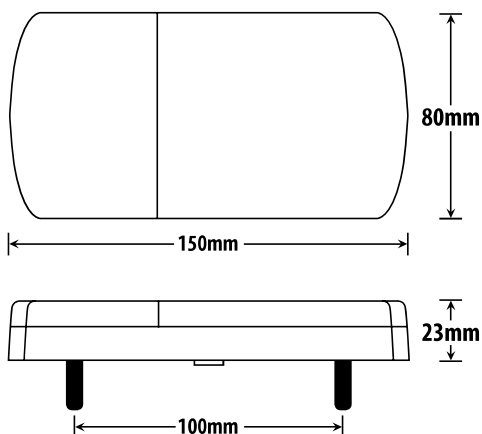
Using Roadvision's new LEDLink™ plug and play system, our trailer wiring kits are a complete DIY solution eliminating the need for any cutting, soldering or joining of trailer wiring. Simply mount the lamps, push in and twist the waterproof LEDLink™ connectors, cable tie the harness to the chassis and you're done. Complete with everything you need...



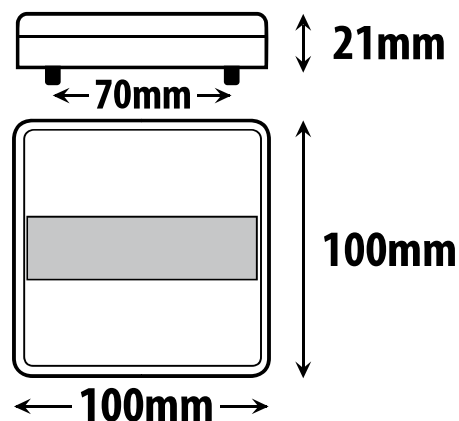
SPECIFICATIONS

	BR207K6X4	BR208K6X4	BR207K8X5	BR208K8X5
Input Voltage	12 Volt DC	12 Volt DC	12 Volt DC	12 Volt DC
Number of LED's	Indicator- 6 LED's, Stop/Tail- 6 LED's, Licence- 6 LED's	Indicator - 5 LED's, Stop/Tail - 5 LED's, Licence - 6 LED's	Indicator- 6 LED's, Stop/Tail- 6 LED's, Licence- 6 LED's	Indicator - 5 LED's, Stop/Tail - 5 LED's, Licence - 6 LED's
Current Draw Amps	Ind-0.09A, S/T- 0.09A/0.02A, Lic- 0.05A @13.8V	Ind - 0.09A, S/T - 0.09/0.02A, Lic 0.05A @ 13.8V	Ind-0.09A, S/T- 0.09A/0.02A, Lic- 0.05A @13.8V	Ind - 0.09A, S/T - 0.09/0.02A, Lic 0.05A @ 13.8V
Dimensions	BR207P - 150 x 80 x 23mm, BR25BP - 81 x 41 x 34mm	BR208P - 100 x 100 x 21mm, BR25BP - 81 x 41 x 34mm	BR207P - 150 x 80 x 23mm, BR25BP - 81 x 41 x 34mm	BR208P - 100 x 100 x 21mm, BR25BP - 81 x 41 x 34mm
Mounting Hole / Cut Out	BR207P - 100mm Stud Centres, BR25BP - 45mm Centres	BR208P - 70mm Stud Centres, BR25BP - 45mm Centres	BR207P - 100mm Stud Centres, BR25BP - 45mm Centres	BR208P - 70mm Stud Centres, BR25BP - 45mm Centres
Cable Length	LEDLink™ Harness System Suit 6x4 Trailers	LEDLink™ Harness System Suit 6x4 Trailers	LEDLink™ Harness System Suit 8x5 Trailers	LEDLink™ Harness System Suit 8x5 Trailers
Approvals	Ind - E4-6R-0115611, S/T - E4-7R-0215611, Ref - E4-3R-0215611, Lic - CRN 46101	Ind - E4-6R-0116003, S/T - E4-7R-0216003, Ref - E4-3R-0216003, Lic - CRN 46101	Ind - E4-6R-0115611, S/T - E4-7R-0215611, Ref - E4-3R-0215611, Lic - CRN 46101	Ind - E4-6R-0116003, S/T - E4-7R-0216003, Ref - E4-3R-0216003, Lic - CRN 46101

LINE DIAGRAM - BR207



LINE DIAGRAM - BR208



LED Combination Lamps



COMPLETE TRAILER WIRING KITS FOR 6x4 & 8x5 TRAILERS

EASY TO FIT...

- Easy to install complete DIY plug & play kits
- Suitable for the average home handyman
- Requires only basic tools for installation
- No crimping, soldering or joining of wires
- Twist lock plugs provide secure connection
- Waterproof with internal O-ring seals
- Eliminates harness corrosion from moisture ingress
- All components ADR approved
- Available with 207 rectangle or 208 square combination lamps
- Suitable for 6x4 or 8x5 trailers

6x4 TRAILER KITS

- BR207K6X4 6x4 LEDLink™ Kit with BR207
- BR208K6X4 6x4 LEDLink™ Kit with BR208

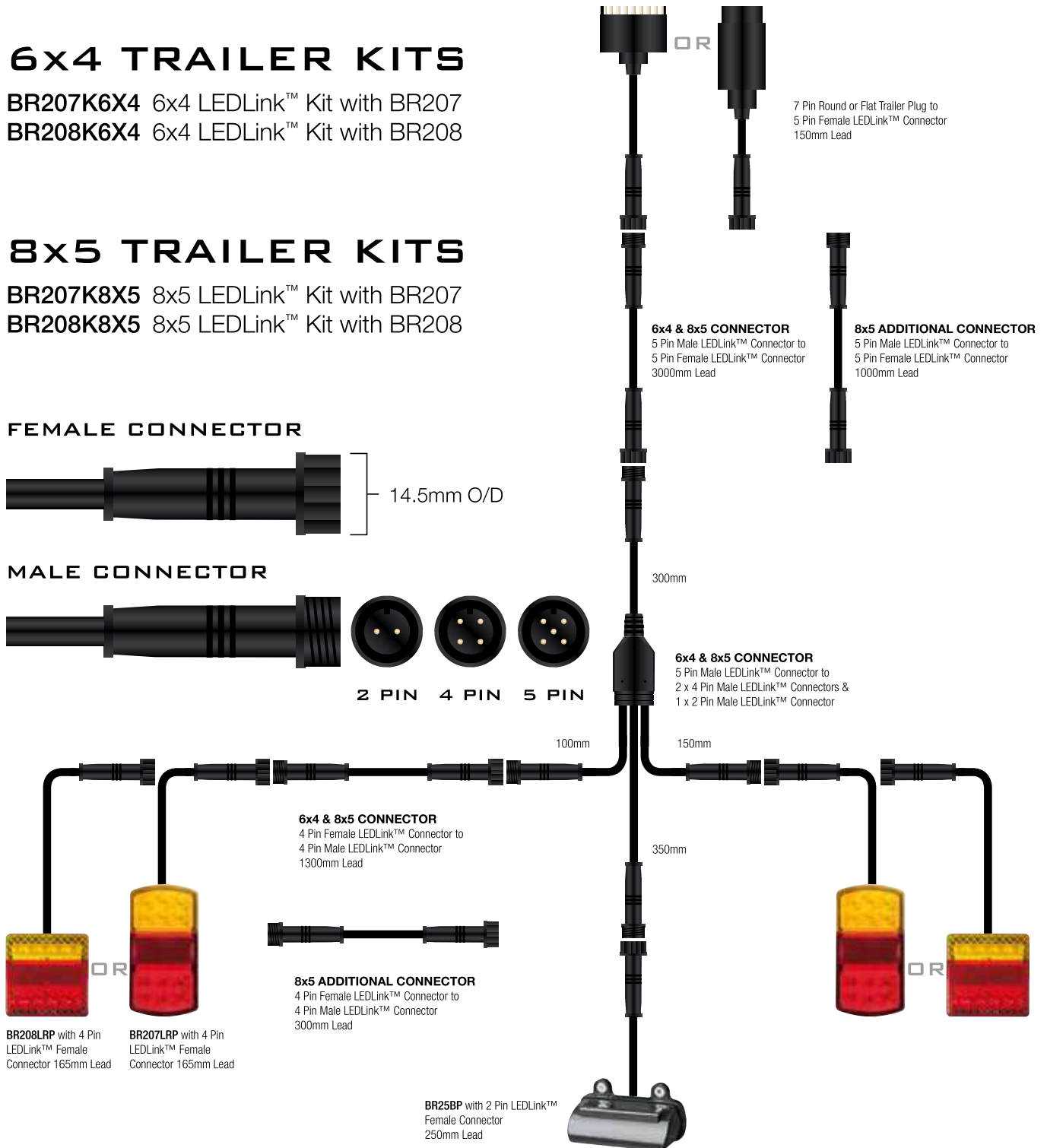
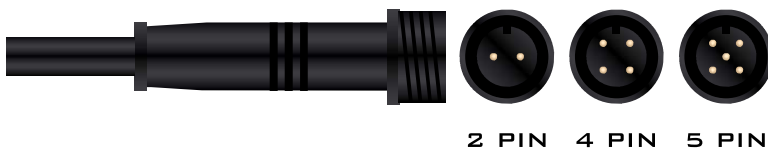
8x5 TRAILER KITS

- BR207K8X5 8x5 LEDLink™ Kit with BR207
- BR208K8X5 8x5 LEDLink™ Kit with BR208

FEMALE CONNECTOR



MALE CONNECTOR



LEDLINK™ TRAILER KITS