

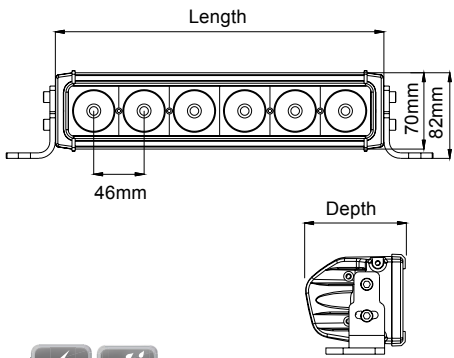


Bottom



TITAN SERIES 60-270W LED LIGHT BARS

- 10 Watt Cree LED's
- 9-60 Volt DC Input Voltage
- Stainless Steel Mounting Brackets with bottom Rail Mount
- Die Cast Aluminium Housing
- Black Powder Coated Finish
- Polycarbonate Lens
- 200mm Cable with Deutsch Connector
- RFI/EMC Protection
- IP Rating: IP67
- Operating Temperature: -40° C to +60° C



Part No	No of LED's	Beam Type	Beam Pattern	Colour	Power	Lumens	Current Draw	Dimensions (L x H x D mm)
LV9400S	6	Spot	10°	Black	60W	5,160	3.7A @ 12V	300 x 70 x 82
LV9401C	9	Combination	40°+10°+40°	Black	90W	7,740	5.5A @ 12V	438 x 70 x 82
LV9401S	9	Spot	10°	Black	90W	7,740	5.5A @ 12V	438 x 70 x 82
LV9402C	12	Combination	40°+10°+40°	Black	120W	10,320	7.4A @ 12V	576 x 70 x 82
LV9402S	12	Spot	10°	Black	120W	10,320	7.4A @ 12V	576 x 70 x 82
LV9403C	15	Combination	40°+10°+40°	Black	150W	12,900	9.2A @ 12V	714 x 70 x 82
LV9403S	15	Spot	10°	Black	150W	12,900	9.2A @ 12V	714 x 70 x 82
LV9404C	18	Combination	40°+10°+40°	Black	180W	15,480	11.1A @ 12V	852 x 70 x 82
LV9404S	18	Spot	10°	Black	180W	15,480	11.1A @ 12V	852 x 70 x 82
LV9405C	24	Combination	40°+10°+40°	Black	240W	20,640	14.8A @ 12V	1128 x 70 x 82
LV9405S	24	Spot	10°	Black	240W	20,640	14.8A @ 12V	1128 x 70 x 82
LV9406C	27	Combination	40°+10°+40°	Black	270W	23,220	16.6A @ 12V	1266 x 70 x 82
* LV0189C	24	Combination	40°+10°+40°	Black	240W	20,640	18.8A @ 12V	520 x 90 x 90

* Double Row