

# LED Combination Lamps



## FEATURES

- Compact LED combination lamp
- 12V DC input & low current draw
- 100,000 hour rated LED lifespan with solid state technology
- Water & dust proof (submersible)
- Sealed polycarbonate lens & housing
- Integrated reflector & optional licence plate lamp
- Pre-wired with 300mm sheathed tinned copper cable
- Easy surface mount stainless steel twin stud installation
- Maintenance free
- ADR/ECE approved for all functions



ROADVISION's BR207 Series LED rear combination lamps tick all the boxes! A simple DIY trailer lighting kit designed for the budget conscious consumer, delivering the durability of maintenance free LED technology and greater visibility providing increased safety. Roadvision's BR207 Series combination lamps produce more light output than incandescent lamps whilst drawing a fraction of the current. Constructed with durable polycarbonate lenses and housings, these lamps are dust & water proof and totally maintenance free with a lifespan rated at 100,000hrs. Fitment is also made easy with integrated twin mounting studs and stainless steel hardware. With ROADVISION it's FIT & FORGET.

## PART NUMBERS



**BR207LR**  
Combination Lamp Kit LED 12V 150x80mm Rect Stop/Tail/Ind/Ref Twin Pack



**BR207LRNP**  
Combination Lamp Kit LED 12V 150x80mm Rect. Stop/Tail/Ind/Ref Twin Pack with Licence



**EL207**  
Combination Lamp LED 12V 150x80mm Rect Stop/Tail/Ind/Ref



## SPECIFICATIONS

	BR/EL207	BR207LRNP
Current Draw Amps	Ind - 0.1A, S/T - 0.1/0.02A @ 13.8V	Ind - 0.1A, S/T - 0.1/0.05A @ 13.8V
Dimensions	150x80x23mm	150x80x37mm
Mounting Depth	Surface Mount	Surface Mount
Mounting Hole / Cut Out	100mm	100mm
Lamp Functions	Stop/Tail/Indicator/Reflector	Stop/Tail/Indicator/Reflector/Licence
Number of LED's	Indicator - 6 LED's, Stop/Tail - 6 LED's	Indicator - 6 LED's, Stop/Tail - 6 LED's, Lic - 4 LED's
Cable Length	300mm Sheathed	300mm Sheathed
Approvals	Ind - E4-6R-0115611, S/T - E4-7R-0215611, Ref - E4-3R-0215611	Ind - E4-6R-0115611, S/T - E4-7R-0215611, Ref - E4-3R-0215611, Lic - TBA

## 207 & 208 SERIES SIMPLE SURFACE MOUNT

Roadvision's 207 & 208 Series combination lamps feature a simple surface mount design engineered with 2 mounting bolts moulded into the housing. This simple 2 bolt mount results in reduced installation times and a secure anti-vibration fitment to any flat surface. The mounting kit comes complete with stainless steel hardware suitable for marine applications.

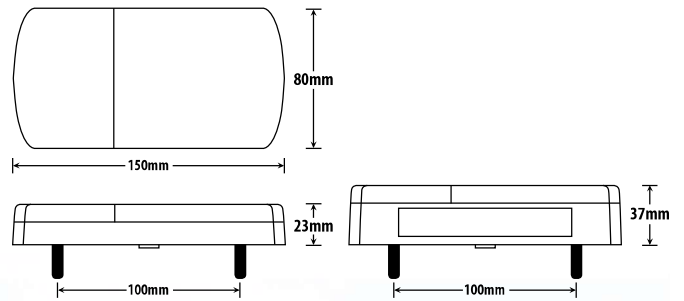


### SPARE PARTS & ACCESSORIES



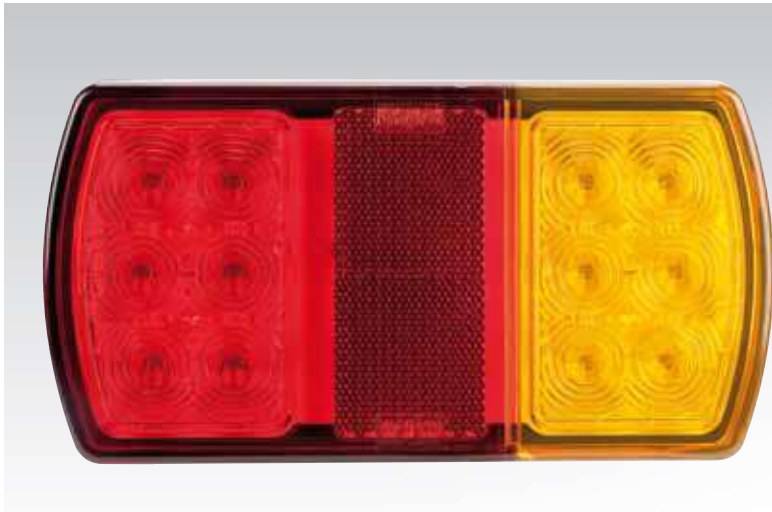
**BR12**  
LED Load Resistor 12V

### LINE DIAGRAM



# LED Combination Lamps

BR207MV SERIES



## FEATURES

- Compact LED combination lamp
- 10-30V DC input & low current draw
- 100,000 hour rated LED lifespan with solid state technology
- Water & dust proof (submersible)
- Sealed polycarbonate lens & housing
- Integrated reflector & optional licence plate lamp
- Pre-wired with 300mm sheathed tinned copper cable
- Easy surface mount stainless steel twin stud installation
- Maintenance free
- ADR/ECE approved for all functions



ROADVISION's BR207 Series LED rear combination lamps tick all the boxes! Simple DIY trailer lights, now available in multi-volt input and designed for the budget conscious consumer they deliver the durability of maintenance free LED technology. Roadvision's BR207 Series combination lamps produce more light output than incandescent lamps whilst drawing a fraction of the current. Constructed with durable polycarbonate lenses and housings, these lamps are dust & water proof and totally maintenance free with a lifespan rated at 100,000hrs. Fitment is also made easy with integrated twin mounting studs and stainless steel hardware. With ROADVISION it's FIT & FORGET.

## PART NUMBERS



**BR207MV**  
Combination Lamp LED 10-30V 150x80mm Rect. Stop/Tail/Ind/Ref

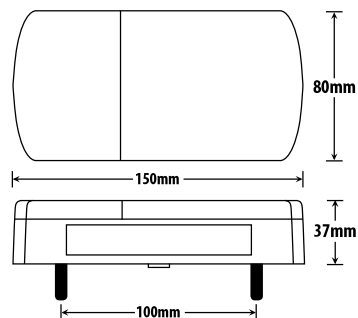


**BR207NPMV**  
Combination Lamp LED 10-30V 150x80mm Rect. Stop/Tail/Ind/Ref with Licence

## SPECIFICATIONS

	BR207MV	BR207NPMV
Current Draw Amps	Ind - 0.1A, S/T - 0.1/0.02A @ 13.8V	Ind - 0.1A, S/T - 0.1/0.02A @ 13.8V
Dimensions	150x80x37mm	150x80x37mm
Mounting Depth	Surface Mount	Surface Mount
Mounting Hole / Cut Out	100mm Stud Centres	100mm Stud Centres
Lamp Functions	Stop/Tail/Indicator/Reflector	Stop/Tail/Indicator/Reflector/Licence
Number of LED's	Indicator - 5 LED's, Stop/Tail - 5 LED's	Indicator - 6 LED's, Stop/Tail - 6 LED's, Lic - 4 LED's
Cable Length	300mm Sheathed	300mm Sheathed
Approvals	TBA	TBA

## LINE DIAGRAM



## SPARE PARTS & ACCESSORIES



**BR12**  
LED Load Resistor 12V



**BR24**  
LED Load Resistor 24V