

# NARVA®

## **EX2-R - L.E.D DRIVING LIGHTS** **Instructions & Specifications**

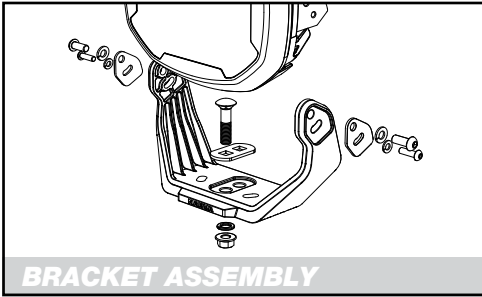
P/No. 72143, 72163, 72173, 72174, 72183, 72184



### **IMPORTANT SAFETY INFORMATION**

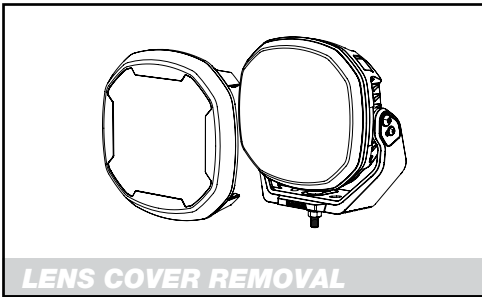
- Remove negative battery cable before installations
- Ensure lamps are fitted using the appropriate wiring harness or an equivalent auxiliary wiring system
- Ensure the lamps are mounted securely to a solid surface on the vehicle or bullbar
- Cables connected to the lamp must not be subjected to wear or other damage
- Driving lights must dip with High Beam to meet ADR requirements.
- Please refer to your local State Government for wiring requirements, as they can differ from state to state.
- Please consult a qualified Auto Electrician to adapt to your vehicle wiring.

## MOUNTING

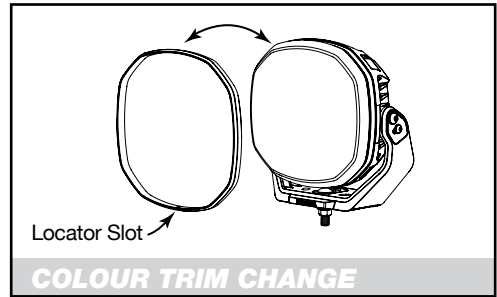


- 1 Each lamp is pre-assembled with stainless steel fasteners
- 2 Choose a solid surface on the vehicle or bullbar to mount the driving lights and secure the lamps by using the flat washer, spring washer with M10 nut

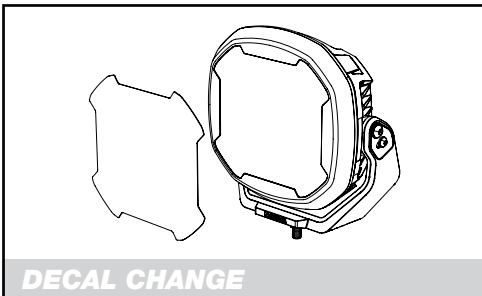
## ASSEMBLIES



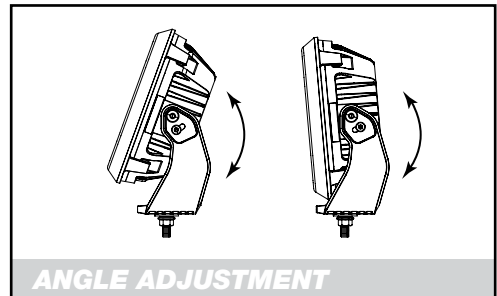
- 1 Remove Lens Protector by un-clipping the side wings



- 1 Remove the Colour trim by un-clipping from the edge of the lamp
- 2 Change the Colour Trim and re-assemble in reverse order



- Peel off the adhesive backing of the decal and align the decal to the edge of the lens cover decal outline. Press the decal down firmly and push out any bubbles  
Avoid washing the lens cover



- Loosen the nut and adjust lamp to the desired angle. Re-tighten nut

# **WIRING INSTRUCTIONS**

## ***EX2-R WIRING WITHOUT SWITCH***

1. Join both positive red leads from the driving lights to one cable size listed in the below table by crimping the ends together.
2. Terminate the cable to one end of the fuse holder and other end to the positive terminal of the battery.
3. Join both negative black leads from the driving lights to one cable size listed in the below table by crimping the ends together.
4. Terminate to negative terminal of the battery or vehicle ground chassis.
5. Join the yellow highbeam trigger wire to 3mm wire and connect it to the highbeam feed wire of the vehicle. For Negative switching refer to last drawing.
6. Ensure fuse and negative battery cable is connected.  
Test the driving lights by turning the highbeams and switch on.

## ***EX2-R WIRING WITH SWITCH***

1. Join both positive red leads from the driving lights to one cable size listed in the below table by soldering or crimping the ends together.
2. Terminate the cable to one end of the fuse holder and other end to the positive terminal of the battery.
3. Join both negative black leads from the driving lights to one cable size listed in the below table by crimping the ends together.
4. Terminate to negative terminal of the battery or vehicle ground chassis.
5. Join the yellow highbeam trigger wire to 3mm wire and connect it to the switch in cabin. Connect a 3mm wire from the switch to high beam output of the vehicle.
6. Ensure fuse and negative battery cable is connected. Test the driving lights by turning the highbeams and switch on.

## ***WHITE POSITION LIGHT WIRING***

ADR approved white position lights can be used without EX2-R Bluetooth module by connecting the supplied round 5pin female connector flying lead with brown wire to round 5pin male connector from EX2-R driving lights. Connect the brown wire using 2.5mm wire to ignition source or parking lights. Test the white position lights by turning on parking lights or ignition.

## ***EX2-R BLUETOOTH MODULE WIRING( P/NO. 74426)***

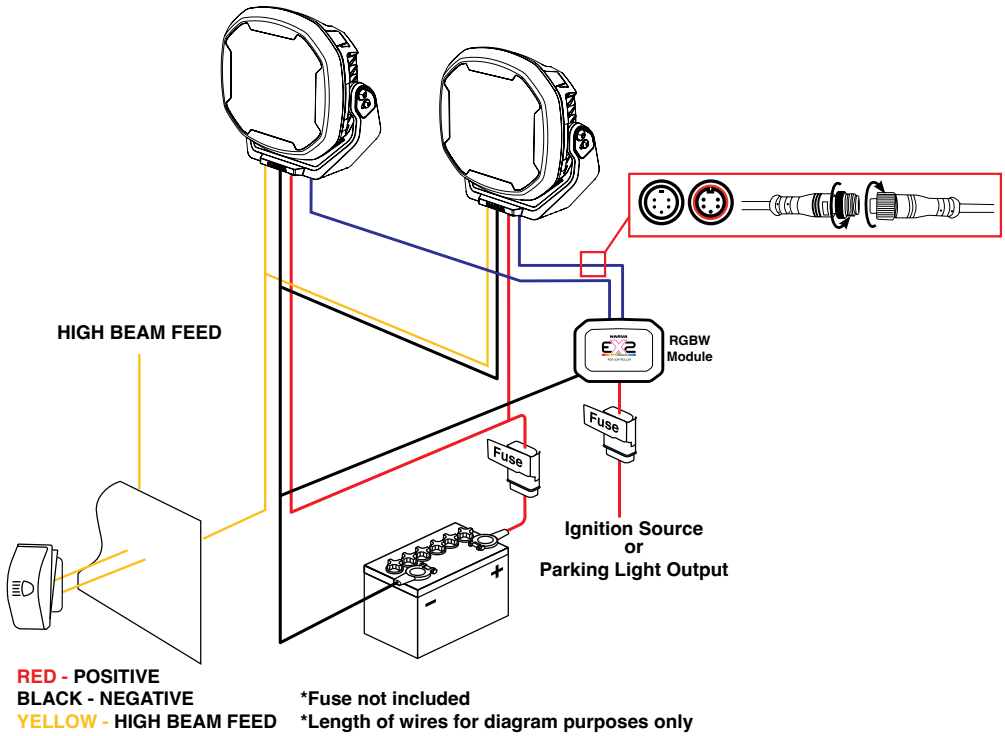
1. Connect the round 5pin female connector from controller to round 5pin male connector from EX2R driving light. Make sure the weatherproof 5 pin connectors are securely fastened and route cables away from engine. The connectors are directional, make sure to connect to the correct position and fasten each end of the cap.
2. Connect the red positive fused power lead to ignition source or parking lights. Do not connect directly to battery as this will keep the position lights and Bluetooth on at all times.
3. Connect the black negative power lead to vehicle ground chassis or battery negative terminal. Refer to EX2 Bluetooth module instructions on how to use.

|           |          |           |
|-----------|----------|-----------|
| 4" single | 3mm wire | 5A fuse   |
| 4" pair   | 3mm wire | 7.5A fuse |
| 6" single | 3mm wire | 7.5A fuse |
| 6" pair   | 4mm wire | 15A fuse  |
| 7" single | 3mm wire | 7.5A fuse |
| 7" pair   | 4mm wire | 15A fuse  |
| 9" single | 4mm wire | 15A fuse  |
| 9" pair   | 6mm wire | 25A fuse  |

EX2-R (P/no 72143, 72163, 72173 and 72183) Driving lights come with 2000mm power flying lead and 1000mm RGB cable

EX2-R (P/no 72174 and 72184) Driving lights come with 500mm power lead + 3PIN DT +1500mm fused power lead harness and 1000mm RGB cable

# LAMP WIRING (WITH SWITCH)

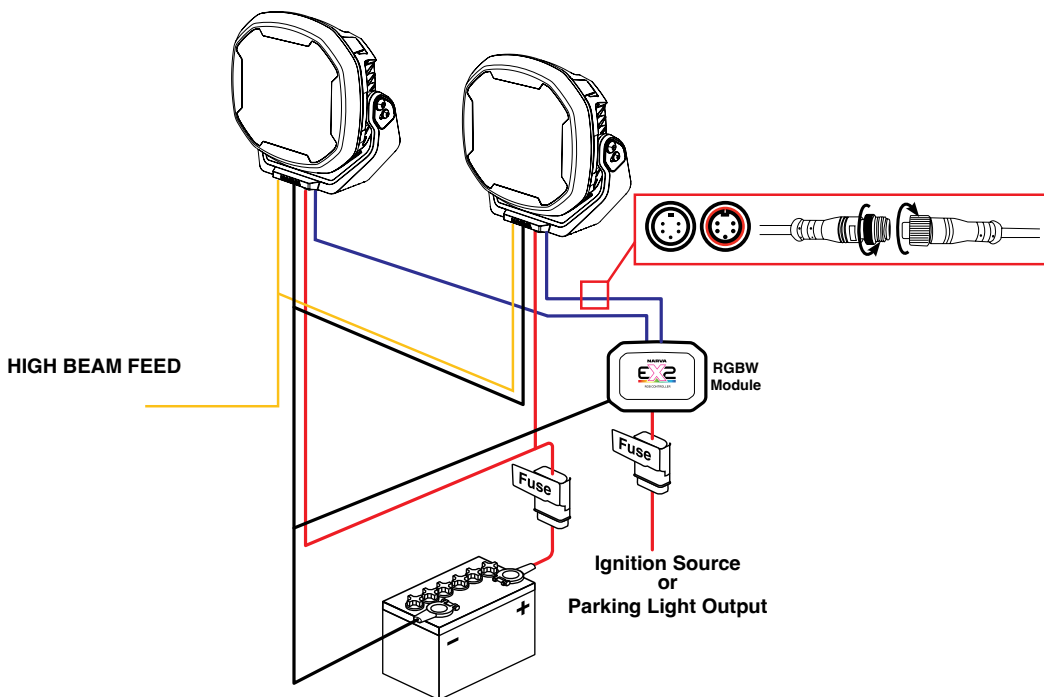


No relay required due to internal switching technology (patent pending)

EX2-R (P/no 72143, 72163, 72173 and 72183) Driving lights come with 2000mm power flying lead and 1000mm RGB cable

EX2-R (P/no 72174 and 72184) Driving lights come with 500mm power lead + 3PIN DT +1500mm power lead harness and 1000mm RGB cable

# LAMP WIRING (WITHOUT SWITCH)



**RED - POSITIVE**  
**BLACK - NEGATIVE**  
**YELLOW - HIGH BEAM FEED**

\*Fuse not included  
\*Length of wires for diagram purposes only

No relay required due to internal switching technology (patent pending)

EX2-R (P/no 72143, 72163, 72173 and 72183) Driving lights come with 2000mm power flying lead and 1000mm RGB cable

EX2-R (P/no 72174 and 72184) Driving lights come with 500mm power lead + 3PIN DT +1500mm power lead harness and 1000mm RGB cable

Note: Driving lights must dip with High Beam to meet ADR requirements  
Please refer to your local State Government for wiring requirements, as they can differ from state to state.  
Please consult a qualified Auto Electrician to adapt to your vehicle wiring.

## TECHNICAL SPECIFICATIONS

|                                   |  |  |
|-----------------------------------|--|--|
| <b>Series Name:</b>               | <b>4"EX2-R Driving Lamp (Single)</b>                               | <b>6"EX2-R Driving Lamp (Single)</b>                               |
| <b>Voltage:</b>                   | 12/24 dual voltage with reverse polarity protection                | 12/24 dual voltage with reverse polarity protection                |
| <b>LEDs:</b>                      | 12 x 5W Cree LEDs  | 24 x 5W Cree LEDs  |
| <b>Housing &amp; Bracket</b>      | Aluminium pressure die-cast & extra tough glass reinforced polymer | Aluminium pressure die-cast & extra tough glass reinforced polymer |
| <b>Beam Type</b>                  | Hybrid beam  | Hybrid beam  |
| <b>Lenses</b>                     | Hardcoated polypropelyene  | Hardcoated polypropelyene  |
| <b>Colour Temperature</b>         | 5700°K   | 5700°K   |
| <b>Current Draw (@13.5V/@28V)</b> | 2.52/1.22  | 4.74/2.29  |

|                                   |  |  |
|-----------------------------------|--|--|
| <b>Series Name:</b>               | <b>7" EX2-R Driving Lamp (Single)</b>                              | <b>9" EX2-R Driving Lamp (Single)</b>                              |
| <b>Voltage:</b>                   | 12/24 dual voltage with reverse polarity protection                | 12/24 dual voltage with reverse polarity protection                |
| <b>LEDs:</b>                      | 24 x 5W Cree LEDs  | 40 x 5W Cree LEDs  |
| <b>Housing &amp; Bracket</b>      | Aluminium pressure die-cast & extra tough glass reinforced polymer | Aluminium pressure die-cast & extra tough glass reinforced polymer |
| <b>Beam Type</b>                  | Hybrid beam  | Hybrid beam  |
| <b>Lenses</b>                     | Hardcoated polypropelyene  | Hardcoated polypropelyene  |
| <b>Colour Temperature</b>         | 5700°K   | 5700°K   |
| <b>Current Draw (@13.5V/@28V)</b> | 5.78/2.79  | 9.62/4.64  |

## PARTS AVAILABLE

### COLOUR TRIMS

|                   | <b>4" EX2 Driving Lamp</b> | <b>6" EX2 Driving Lamp</b> | <b>7" EX2 Driving Lamp</b> | <b>9" EX2 Driving Lamp</b> |
|-------------------|----------------------------|----------------------------|----------------------------|----------------------------|
| Volcano (Red)     | C 72142-RD                 | C 72160-RD                 | C 72170-RD                 | C 72180-RD                 |
| Juiced (Orange)   | C 72142-OE                 | C 72160-OE                 | C 72170-OE                 | C 72180-OE                 |
| Sunburst (Yellow) | C 72142-YW                 | C 72160-YW                 | C 72170-YW                 | C 72180-YW                 |
| Hyper (Green)     | C 72142-GN                 | C 72160-GN                 | C 72170-GN                 | C 72180-GN                 |
| Electric (Blue)   | C 72142-BE                 | C 72160-BE                 | C 72170-BE                 | C 72180-BE                 |
| Bubblegum (Pink)  | C 72142-PK                 | C 72160-PK                 | C 72170-PK                 | C 72180-PK                 |
| Slate (Grey)      | C 72142-GY                 | C 72160-GY                 | C 72170-GY                 | C 72180-GY                 |
| Stealth (Black)   | C 72142-BK                 | C 72160-BK                 | C 72170-BK                 | C 72180-BK                 |

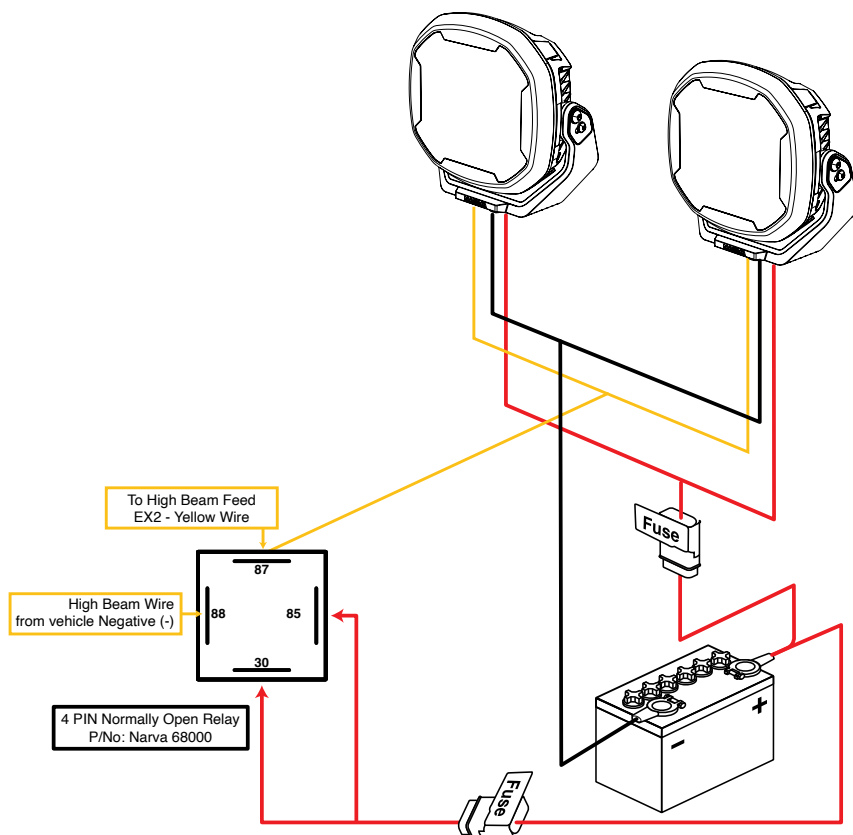
## **SPARE PARTS**

|         |                           |
|---------|---------------------------|
| 72234A  | 4" Amber Lens Cover       |
| 72234   | 4" Clear Lens Cover       |
| 72234BK | 4" Solid Black Lens Cover |
| 72236A  | 6" Amber Lens Cover       |
| 72236BL | 6" Clear Lens Cover       |
| 72236BK | 6" Solid Black Lens Cover |
| 72237A  | 7" Amber Lens Cover       |
| 72237BL | 7" Clear Lens Cover       |
| 72237BK | 7" Solid Black Lens Cover |
| 72239A  | 9" Amber Lens Cover       |
| 72239BL | 9" Clear Lens Cover       |
| 72239BK | 9" Solid Black Lens Cover |
| 74426   | EX2-R Bluetooth Module    |



## FOR NEGATIVE SWITCHED VEHICLES ONLY

1. Using a 4PIN normally open relay (Narva P/no 68000), connect PIN 30 and PIN 85 to a constant +12V source with 5AMP inline fuse.
2. Connect negative (-) high beam wire from vehicle to Pin 86.
3. Connect Pin 87 to EX2 High beam feed



**RED - POSITIVE**  
**BLACK - NEGATIVE**  
**YELLOW - HIGH BEAM FEED**

\*Fuse not included (refer to table)  
\*Length of wires for diagram purposes only

Please consult a qualified Auto Electrician to adapt to your vehicle wiring as wrong connections can cause damage to your vehicle wiring and electronic modules.

# **WARRANTY**

## **Applicable only to product sold in Australia**

Brown & Watson International Pty Ltd of 1500 Ferntree Gully Road, Knoxfield, Vic., telephone (03) 9730 6000, fax (03) 9730 6050, warrants that all products described in its current catalogue (save and except for all bulbs and lenses whether made of glass or some other substance) will under normal use and service be free of failures in material and workmanship for a period of one (1) year (unless this period has been extended as indicated elsewhere) from the date of the original purchase by the consumer as marked on the invoice. This warranty does not cover ordinary wear and tear, abuse, alteration of products or damage caused by the consumer.

To make a warranty claim the consumer must deliver the product at their cost to the original place of purchase or to any other place which may be nominated by either BWI or the retailer from where the product was bought in order that a warranty assessment may be performed. The consumer must also deliver the original invoice evidencing the date and place of purchase together with an explanation in writing as to the nature of the claim.

In the event that the claim is determined to be for a minor failure of the product then BWI reserves the right to repair or replace it at its discretion. In the event that a major failure is determined the consumer will be entitled to a replacement or a refund as well as compensation for any other reasonably foreseeable loss or damage.

This warranty is in addition to any other rights or remedies that the consumer may have under State or Federal legislation.

## **IMPORTANT NOTE**

Our goods come with guarantees that cannot be excluded under the Australian Consumer Law. You are entitled to a replacement or refund for a major failure and compensation for any other reasonably foreseeable loss or damage. You are also entitled to have the goods repaired or replaced if the goods fail to be of acceptable quality and the failure does not amount to a major failure.

Distributed by:

**Brown & Watson Int. Pty. Ltd.**

Knoxfield, Victoria 3180

PH: 1800 422 422

**[www.narva.com.au](http://www.narva.com.au)**

IS521

Issue 1: 30.01.23