

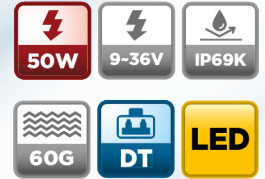
## Product Release



**WELDEX**  
CORPORATION



## 50W LED WORK LIGHTS



### Features:

- Die-cast for superior heat dissipation
- Adjustable heavy duty trunnion mounting bracket
- Vertical fins maximize heat dissipation
- Low power consumption
- Built in DT connector
- Mining, truck, agricultural, heavy-duty equipment, boat, construction, off-road racing, ATV/UTV, etc
- ECE R10 certificated
- CISPR25 class 5 compliant

### Specification

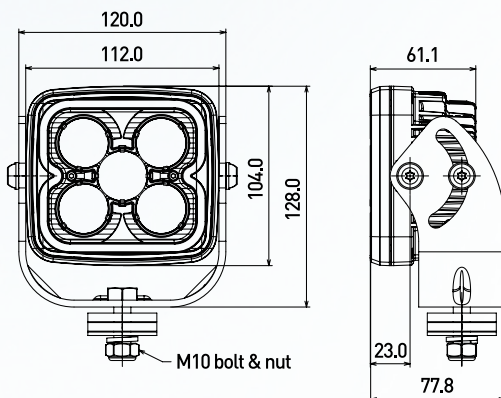
Wattage	Current draw(@12V)	Input voltage
50 W	4.2 A	DC 9~36 V
Raw / Effective Lm	Vibration rating	Operating temperature
4500 / 4000 lm	60 G	-40°C ~ +80°C
IP rating	Lifespan	Beam angle (Field angle)
IP69K	50,000 hrs	20° / 60°
Connector	Dimension	
DT04-2P (Built-in)	120.0(W) x 128.0(H) x 77.8(D)mm	

### PRODUCT INFORMATION

Part No.	Beam Angle	Barcode
LVW-4S51DT20	20°	9342828208994
LVW-4S51DT60	60°	9342828109260

### Dimensions:

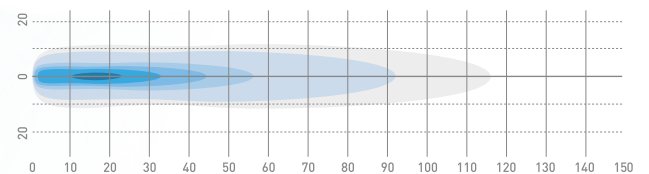
[Unit: mm]



### Beam Patterns:

[Unit: m]

20° (LVW-4S51DT20)



60° (LVW-4S51DT60)

