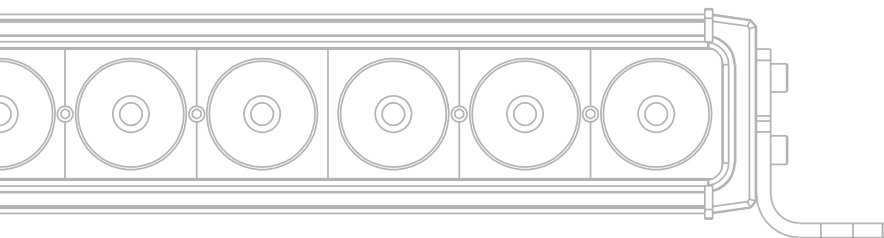


TITAN

SERIES

LV
automotive™





Security Screws



Security Lock Nut



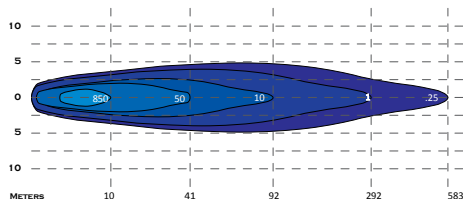
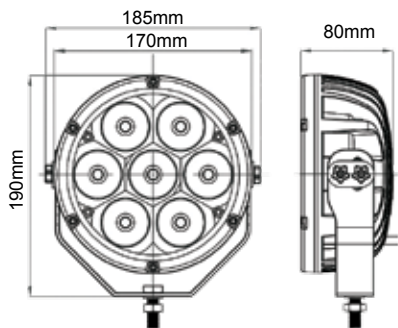
LV0179

7" TITAN SERIES 70W LED DRIVING LIGHT

- 7 x 10 Watt Cree LED's
- 9-32 Volt DC Input Voltage
- 10° Beam Pattern
- Heavy Duty 5mm Stainless Steel Mounting Bracket
- Die Cast Aluminium Housing
- Black Powder Coated Finish
- Polycarbonate Lens and Clear Cover
- 200mm Cable with Deutsch Connector
- Includes Security Lock Nut and Security Screws
- Protected Against: RFI/EMC

Voltage & Current Surge
Reverse Polarity

- IP Rating: 68
- Lumens: 5,700
- Dimensions: 185 x 80mm
- Operating Temperature: -40°C to +60°C
- Current Draw: 4.7A @ 12 Volt DC
- Tools for security screws and lock nut included





Security Screws



Security Lock Nut



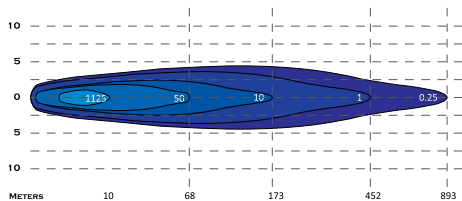
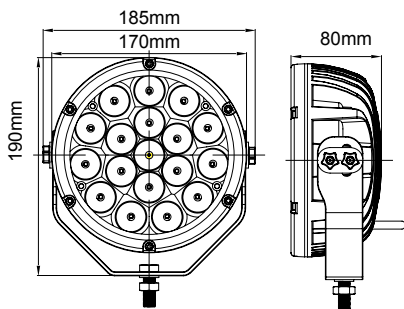
LV0180

7" TITAN SERIES 90W LED DRIVING LIGHT

- 18 x 5 Watt Cree LED's
- 9-32 Volt DC Input Voltage
- 10° Beam Pattern
- Heavy Duty 5mm Stainless Steel Mounting Bracket
- Die Cast Aluminium Housing
- Black Powder Coated Finish
- Polycarbonate Lens and Clear Cover
- 200mm Cable with Deutsch Connector
- Includes Security Lock Nut and Security Screws
- Protected Against: RFI/EMC

Voltage & Current Surge
Reverse Polarity

- IP Rating: 68
- Lumens: 7,000
- Dimensions: 185 x 80mm
- Operating Temperature: -40°C to +60°C
- Current Draw: 5.3A @ 12 Volt DC
- Tools for security screws and lock nut included





Security Screws



Security Lock Nut



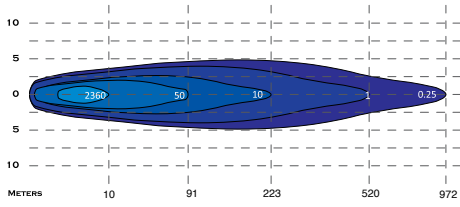
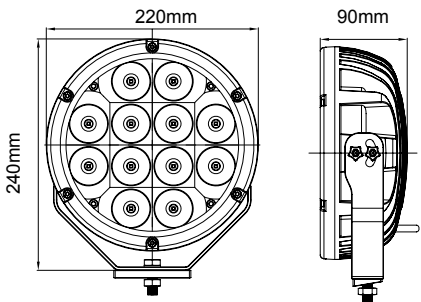
LV0181

9" TITAN SERIES 120W LED DRIVING LIGHT

- 12 x 10 Watt Cree LED's
- 9-32 Volt DC Input Voltage
- 10° Beam Pattern
- Heavy Duty 5mm Stainless Steel Mounting Bracket
- Die Cast Aluminium Housing
- Black Powder Coated Finish
- Polycarbonate Lens and Clear Cover
- 200mm Cable with Deutsch Connector
- Includes Security Lock Nut and Security Screws
- Protected Against: RFI/EMC

Voltage & Current Surge
Reverse Polarity

- IP Rating: 68
- Lumens: 14,500
- Dimensions: 220 x 90mm
- Operating Temperature: -40°C to +60°C
- Current Draw: 8.1A @ 12 Volt DC
- Tools for security screws and lock nut included





Security Screws



Security Lock Nut



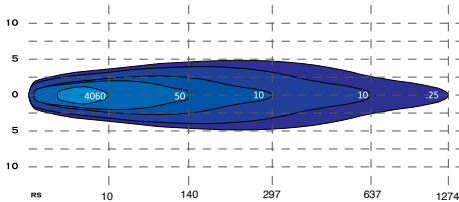
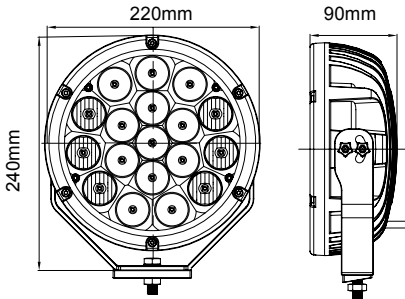
LV9410

9" TITAN SERIES 180W LED DRIVING LIGHT

- 18 x 10 Watt Cree LED's
- 9-32 Volt DC Input Voltage
- 10° Beam Pattern with 6 x Flood Optics
- Heavy Duty 5mm Stainless Steel Mounting Bracket
- Die Cast Aluminium Housing
- Black Powder Coated Finish
- Polycarbonate Lens and Clear Cover
- 200mm Cable with Deutsch Connector
- Includes Security Lock Nut and Security Screws
- Protected Against: RFI/EMC

Voltage & Current Surge
Reverse Polarity

- IP Rating: 68
- Lumens: 16,500
- Dimensions: 220 x 90mm
- Operating Temperature: -40°C to +60°C
- Current Draw: 10A @ 12 Volt DC
- Tools for security screws and lock nut included





Security Screws

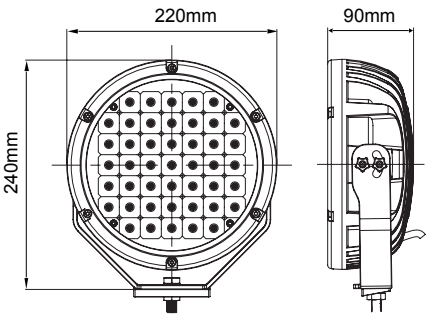


Security Lock Nut



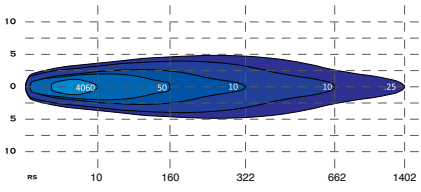
LV9411

9" TITAN SERIES 225W LED DRIVING LIGHT



- 45 x 5 Watt Cree LED's
- 9-32 Volt DC Input Voltage
- 10° Beam Pattern
- Heavy Duty 5mm Stainless Steel Mounting Bracket
- Die Cast Aluminium Housing
- Black Powder Coated Finish
- Polycarbonate Lens and Clear Cover
- 200mm Cable with Deutsch Connector
- Includes Security Lock Nut and Security Screws
- Protected Against: RFI/EMC

Voltage & Current Surge
Reverse Polarity



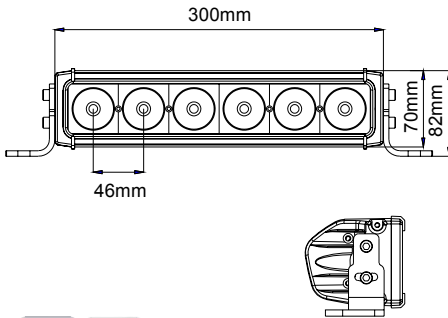
- IP Rating: 68
- Lumens: 18,000
- Dimensions: 220 x 90mm
- Operating Temperature: -40°C to +60°C
- Current Draw: 13.4A @ 12 Volt DC
- Tools for security screws and lock nut included

Bottom



TITAN SERIES LED LIGHT BARS

- 10 Watt Cree LED's
- 9-60 Volt DC Input Voltage
- Stainless Steel Mounting Brackets with bottom Rail Mount
- Die Cast Aluminium Housing
- Black Powder Coated Finish
- Polycarbonate Lens
- 200mm Cable with Deutsch Connector
- RFI/EMC Protection
- Operating Temperature: -40°C to +60°C



Part No	No of LED's	Beam Type	Beam Pattern	Colour	Power	Lumens	Current Draw	Dimensions (L x H x D mm)
LV9400S	6	Spot	10°	Black	60W	5,160	3.7A @ 12V	300 x 70 x 82
LV9401C	9	Combination	40°+10°+40°	Black	90W	7,740	5.5A @ 12V	438 x 70 x 82
LV9401S	9	Spot	10°	Black	90W	7,740	5.5A @ 12V	438 x 70 x 82
LV9402C	12	Combination	40°+10°+40°	Black	120W	10,320	7.4A @ 12V	576 x 70 x 82
LV9402S	12	Spot	10°	Black	120W	10,320	7.4A @ 12V	576 x 70 x 82
LV9403C	15	Combination	40°+10°+40°	Black	150W	12,900	9.2A @ 12V	714 x 70 x 82
LV9403S	15	Spot	10°	Black	150W	12,900	9.2A @ 12V	714 x 70 x 82
LV9404C	18	Combination	40°+10°+40°	Black	180W	15,480	11.1A @ 12V	852 x 70 x 82
LV9404S	18	Spot	10°	Black	180W	15,480	11.1A @ 12V	852 x 70 x 82
LV9405C	24	Combination	40°+10°+40°	Black	240W	20,640	14.8A @ 12V	1128 x 70 x 82
LV9405S	24	Spot	10°	Black	240W	20,640	14.8A @ 12V	1128 x 70 x 82
LV9406C	27	Combination	40°+10°+40°	Black	270W	23,220	16.6A @ 12V	1266 x 70 x 82
* LV0189C	24	Combination	40°+10°+40°	Black	240W	20,640	18.8A @ 12V	520 x 90 x 90

* Double Row

LV9499

ANTI-THEFT LOCK NUT KIT



- Protect your driving lights from potential theft
- Kit includes 2 x Security Screws and 1 x Lock Nut
- Installation tools included



UNIVERSAL MOUNTING BRACKETS

The LV Automotive die-cast alloy universal mounting brackets are perfect for hassle-free mounting of almost any accessory to a tubular bar.



- Die-cast alloy body and stainless steel hardware
- Rubber Bar Protector included
- Suits Lightbars, Worklights, Aerials etc

Part No	Size	Pack
LV9490	49 - 54mm	1 Pair
LV9491	66 - 71mm	1 Pair
LV9492	76 - 81mm	1 Pair

CLEAR COVERS

Replacement Polycarbonate Covers to Suit Titan Series LED Driving Lights.

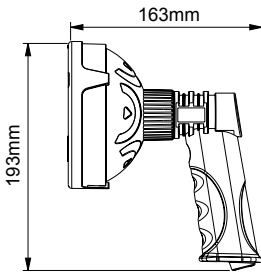


Part No	Size
LV9495	7"
LV9496	9"

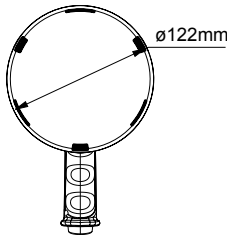


LV9100

TITAN SERIES HANDHELD LED SPOTLIGHT 27W



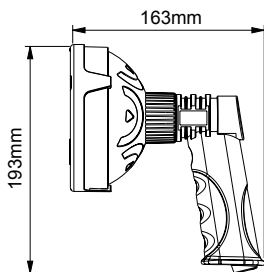
- 9 x 3W Cree LED's
- High Impact Resistant Polymer Body
- Polycarbonate Lens
- Lightweight with ergonomic pistol grip
- On/Off switch
- 4M Lead with Cigarette Lighter Plug
- Lumens: 2000



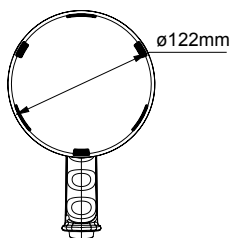


LV9101

TITAN SERIES HANDHELD RECHARGEABLE LED SPOTLIGHT 27W



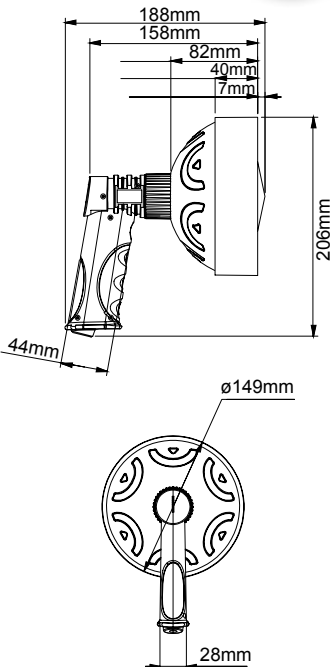
- 9 x 3W Cree LED's
- High Impact Resistant Polymer Body
- Polycarbonate Lens
- Lightweight with ergonomic pistol grip
- On/Off switch
- 7.4V 2.6Ah Lithium Battery
- Run Time: 1 Hour Continuous
- Charging Time: 8 Hours
- Lumens: 2000





LV9102

TITAN SERIES HANDHELD LED SPOTLIGHT 36W



- 12 x 3W Cree LED's
- High Impact Resistant Polymer Body
- Polycarbonate Lens
- Lightweight with ergonomic pistol grip
- On/Off switch
- 4M Lead with Cigarette Lighter Plug
- Lumens: 3500

TITAN
SERIES

LV
automotive™



HIGH PERFORMANCE LED LIGHTING SOLUTIONS
ENGINEERED FOR HARSH AUSTRALIAN CONDITIONS

Distributed by: