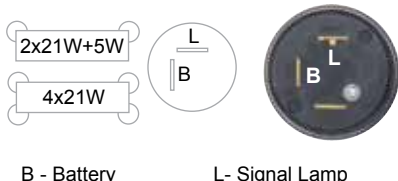


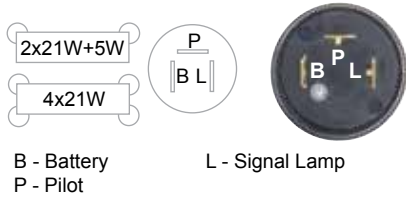
Flashers

E50-1011 24V Electronic Flasher - 2 Pin



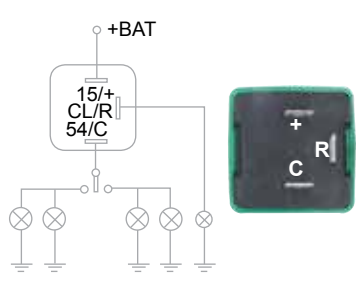
- Magnetic Type
- Non - Polarised
- 21 - 23 Watt
- Maximum 6 Bulbs

E50-1013 24V Electronic Flasher - 3 Pin



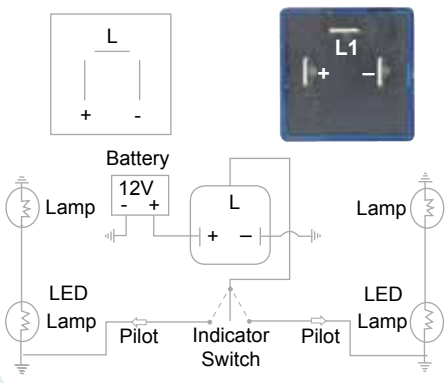
- High Capacity
- Non - Polarised
- 21 - 23 Watt
- Maximum 6 Bulbs

E50-1001 24V Flasher Unit- 3 Pin



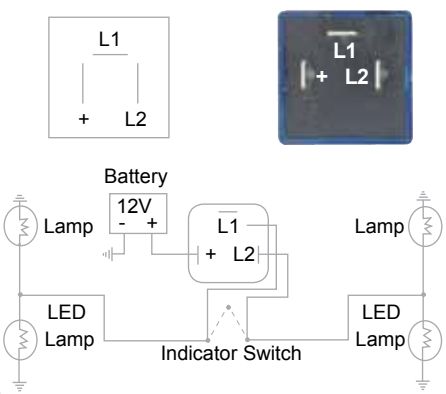
- Magnetic Type
- Maximum Load 500 Watt

E50-1016 24V Electronic Flasher - 3 Pin



- Suitable for use where rear LED Indicators are used in conjunction with front incandescent indicators. For example Utes & Trucks
- Eliminates the need for load resistors
- Will not operate correctly without the load of an incandescent globe.

E50-1018 24V LED Wig Wag Flasher - 3 Pin



- 0.1-130 Watt
- Wig Wag Flash Pattern
- Will not operate correctly without the load of an incandescent globe.