



@1LUX



CUSTOM TRIMS



HARNESS FREE



7 YEAR WARRANTY

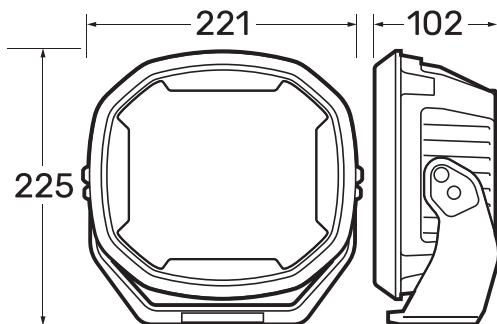
DESCRIPTION

EX2's hybrid beam provides outstanding width and distance, without dark spots or hot spots, ensuring exceptional clarity in the dark.

Revolutionary internal switching (patent pending) means no harness is required.

Making for the easiest wiring on the market and eliminating the need to wire these components through the firewall.

EX2's are built to last; sealed to IP68 & IP69K, with hard-coated polycarbonate lens, composite mounting brackets, stainless steel mounting hardware and a 7 year warranty.



Raw Lumens	13600lm
Effective Lumens	9700lm
Beam Distance	700m @ 1lux
Beam Width	60m @ 1lux
Colour Temperature	5700K ±5%
Colour Rendering Index (CRI)	70
Height	225
Depth	102
Width	221
Weight	2620g ±10%
Cable Length	0.5m
Housing	Pressure die-cast aluminium
Lens Material	Hard coated polycarbonate
Lens Protector	Black ABS
Bracket	Nylon + 30% Glass-Filled
Mounting	3 Bolt
Input Voltage	9-33V DC
Current Raw (@13.5V/@28V) Per Lamp	9.62/4.64
LED's	40
LED Spec	5W CREE LED
LED Power	130
Protection	Reverse Polarity Protection, Over and Under Voltage Protection
IP Rating	IP68 & IP69K
Operating Temperature	-40 - +60°
ECE R10	✓
RCM	✓
Warranty	7 Years
Wiring	Red - Positive Yellow - High Beam Trigger Black - Negative
Country of Origin	
Kit Includes	2 x 9" Driving Light 2 x BLACK Lens Protectors 1 x Colour Trim fitted on lamp (Electric Blue) 1 x Colour Trim (Slate Grey) 1 x Wiring Harness Lead Product Instructions S/S Hardware