

www.jasoceania.com.au



REMANUFACTURED UNITS PROGRAM

JAS Oceania are please to announce the re-release of our Remanufactured Alternator and Starter Motor programs, we have sourced the highest quality units remanufactured to OEM specifications.

Our new specifications address the most critical components which are replaced 100% with brand new and are sourced from high end quality manufactures.

We will continue to increase and develop our product range as well as offering the highest industry standard warranty periods





HIGH QUALITY

REMANUFACTURED ALTERNATOR



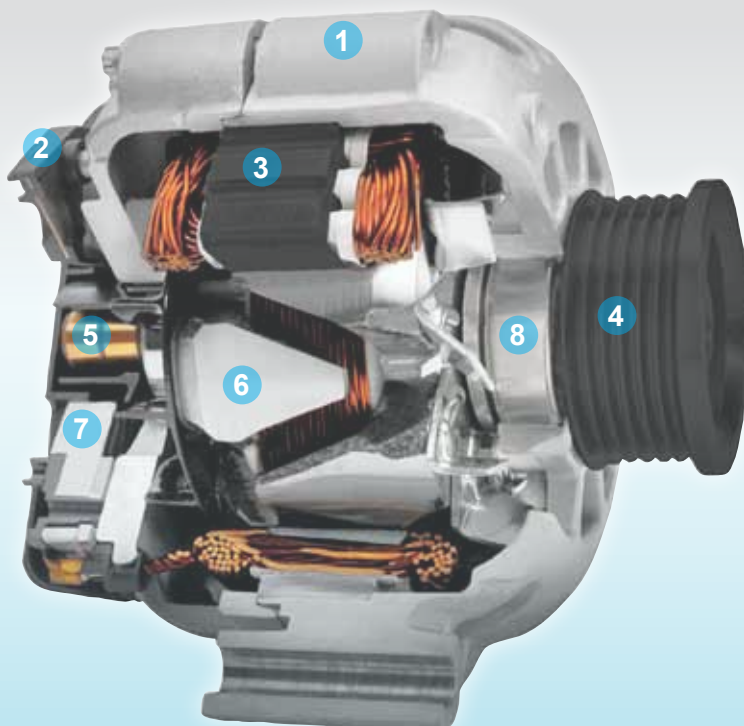
NEW PACKAGING



WARRANTY PERIOD

PMV 24 Months / 40,000km
CV 12 Months / 30,000km

✓ **Reman to OEM Specifications**



- 1 Housings** - New or Uniquely Cleaned & Blasted to OE finish
- 2 Regulator** - 100% New Korean or High Quality
- 3 Stator** - Cleaned & Re insulated with Electrical Varnish
- 4 Pulley** - New where applicable
- 5 Slip Ring** - Replaced or Machined to OE Specs
- 6 Rotor** - Cleaned & Re insulated with Electrical Varnish
- 7 Rectifier** - 100% New Korean or High Quality
- 8 Bearing** - 100% New High Quality



HIGH QUALITY

REMANUFACTURED STARTER MOTOR



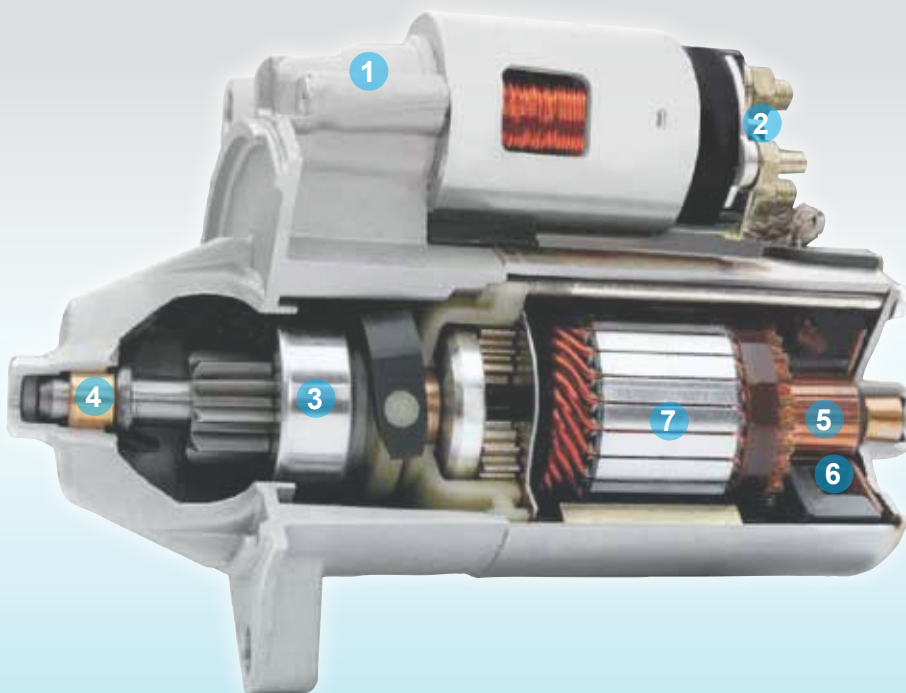
NEW PACKAGING



WARRANTY PERIOD

PMV 24 Months / 40,000km
CV 12 Months / 30,000km

✓ Reman to OEM Specifications



- 1 Housings** - New or Uniquely Cleaned & Blasted to OE finish
- 2 Solenoid** - 100% New Cap & Contacts
- 3 Drive/ Clutch** - New or Rebuilt to OE Standards
- 4 Bushes** - 100% New
- 5 Comutator** - Cleaned & Machined to OE Specs
- 6 Brushes** - 100% New
- 7 Armature** - Cleaned & Machined to OE Spec

JAS OCEANIA **BRANCHES**

MELBOURNE (H/O)

54 - 58 LILLEE CRESCENT, TULLAMARINE
VICTORIA 3043
☎ 03 9317 2600 ☎ 03 9317 2690
PO BOX 1369
TULLAMARINE 3043

SYDNEY

15 / 453 - 455 VICTORIA ST, WETHERILL PARK
NSW 2164
☎ 02 9604 8644 ☎ 02 9604 7322

NEWCASTLE

65 BROADMEADOW RD, BROADMEADOW
NEWCASTLE 2292
☎ 02 4969 8455 ☎ 02 4969 8422

CANBERRA

17 TOWNSVILLE ST, FYSHWICK
ACT 2609
☎ 02 6228 1445 ☎ 02 6228 1446

DUBBO

5/233 GILGANDRA RD, DUBBO
NSW 2830
☎ 02 6881 8444 ☎ 02 6881 6447

ALBURY

1 / 39 BENNU CCT, AIRPORT ESTATE
ALBURY, NSW 2640
☎ 02 6043 1288 ☎ 02 6043 2841

DANDENONG

9 / 50A PRINCES HWY, EUMEMMERRING
VICTORIA 3177
☎ 03 9791 8822 ☎ 03 9706 7306

GOLD COAST

4 / 11 HUTCHINSON ST, BURLEIGH HEADS
QUEENSLAND 4220
☎ 07 5593 6361 ☎ 07 5593 6338

BRISBANE NORTH

12 MATHESON ST, VIRGINIA
QUEENSLAND 4014
☎ 07 3216 2660 ☎ 07 3265 1240

BRISBANE

112 GARDENS DRIVE, WILLAWONG
QUEENSLAND 4110
☎ 07 3711 8500 ☎ 07 3711 8540

TOWNSVILLE

4 / 66 PILKINGTON ST, GARBUTT
QUEENSLAND 4814
☎ 07 4775 2955 ☎ 07 4779 0067

CAIRNS

151 SCOTT ST, CAIRNS
QUEENSLAND 4870
☎ 07 4041 3433 ☎ 07 4041 7344

ROCKHAMPTON

154 KENT ST, ROCKHAMPTON
QUEENSLAND 4701
☎ 07 4922 7400 ☎ 07 4922 7300

MACKAY

14 / 30-38 MARGARET VELLA DR, PAGET, MACKAY
QUEENSLAND 4740
☎ 07 4998 5888 ☎ 07 4952 3840

ADELAIDE

25 MANTON ST, HINDMARSH
SOUTH AUSTRALIA 5007
☎ 08 8346 6481 ☎ 08 8346 6751

AAEW

3 / 32-34 WODONGA ST, BEVERLEY
SOUTH AUSTRALIA 5009
PO BOX 104 BROOKLYN PARK SA 5032
☎ 08 8244 9888 ☎ 08 8244 9977

PERTH

1 / 85 ABERNETHY RD BELMONT
PERTH WA 6104
☎ 08 9478 5511 ☎ 08 9478 5594

DARWIN

4 / 14 MENMUIR ST, WINNELLIE
NT 0820
☎ 08 8947 1744 ☎ 08 8947 1790